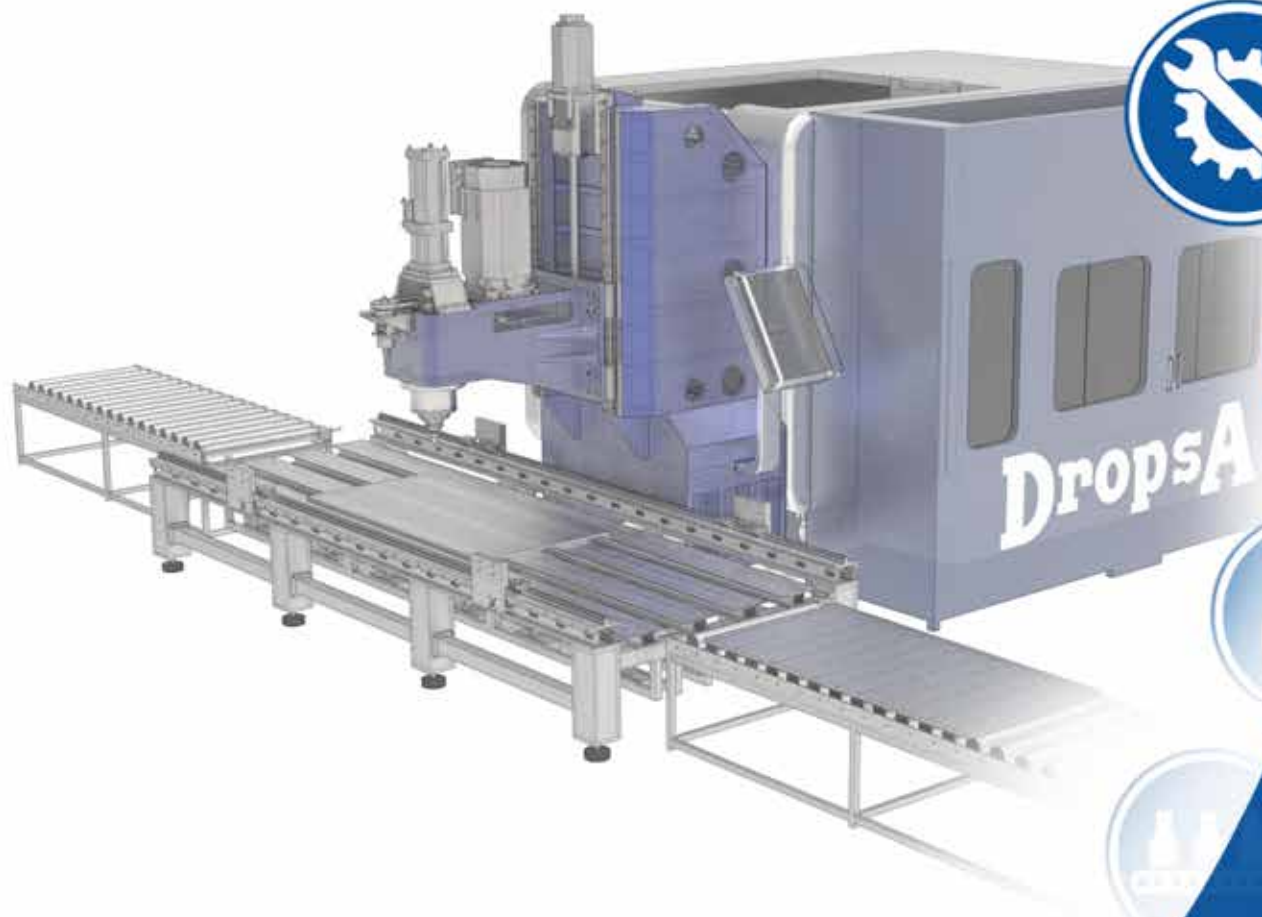


DropsA

Lubrication systems specialists

MACHINE TOOLS





MaXtreme

The MaXtreme represents the first step towards the world of near-dry machining by using the leading air-oil aerosol technology. Designed in particular for internal lubrication processes, this exclusive unit can generate a thin film of aerosol mixture which is brought directly to the tool cutting point by using the existing fluid distribution channels found on most machines. The auto-regulation is one of the key characteristics of MaXtreme you will not find on other aerosol generators for near dry machining.



Air-Oil Sensor
This sensor controls the oil passage in the air, to the spindle bearing.



Vip4Air

Dropsa has taken the 'minimal lubrication' concept one step further with the VIP4Air that can achieve ultra-low volume oil discharge and at the same time provide electronic monitoring (using a custom designed differential flow sensor integrated into the unit). This allows true minimal lubrication by applying micro-amounts of lubricants at more frequent intervals whilst giving positive feedback that oil is correctly being injected and mixed into the air stream. The VIP4Air System contains all components necessary to achieve and monitor optimum minimal Air/Oil Lubrication.



Smart3

Compact and versatile pump, the perfect solution for oil and fluid grease lubrication. Thanks at 2 available versions, the lubrication cycle can be managed by an external PLC (MANUAL VERSION) or with an integrated controller board (AUTOMATIC VERSION).



DragonX

Compact and versatile pump that joins efficiency and performance in a simple all-inclusive pump package for injector and progressive systems both for oil and fluid grease NLG000. The external position of the pressure manifold block that houses all the functional components makes it easy to carry out any adjustments and connections.



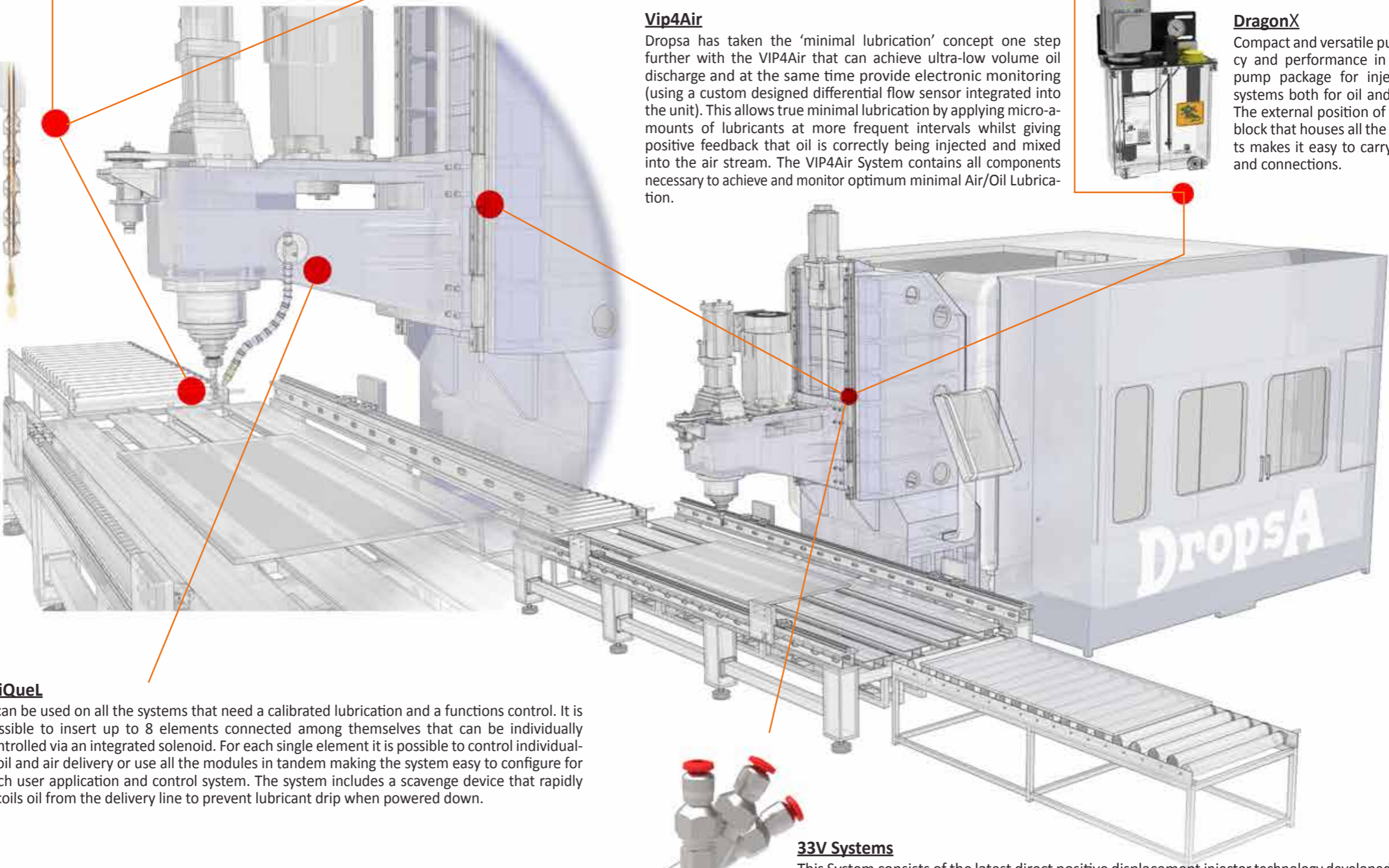
MiQueL

It can be used on all the systems that need a calibrated lubrication and a functions control. It is possible to insert up to 8 elements connected among themselves that can be individually controlled via an integrated solenoid. For each single element it is possible to control individually oil and air delivery or use all the modules in tandem making the system easy to configure for each user application and control system. The system includes a scavenge device that rapidly recoils oil from the delivery line to prevent lubricant drip when powered down.



33V Systems

This System consists of the latest direct positive displacement injector technology developed by Dropsa. This technology provides precise and fail-safe dosage of oil independent of viscosity, temperature or pressure. When combined with a competitive pump package, high performance system can be obtained at good prices. Our push-lock system allows further reduction in installation cost.





IoT touch 4.0

AUTOMATIC OMEGA PUMP

This represents a versatile solution for medium small systems that can be used to feed systems with different lubrication systems: with divider (pair of pumping elements), direct to the point (8 mini pumping elements) or with the release valve kit for injection systems.



MiQuel



POMPA POLIPUMP

The easy package for small greasing applications. A recent addition to the DropsA product range it allows users to create instant out-of-the-box grease lubrication systems for previous manual or semi-automatic lubrication applications. It can feed up to 35 lubrication points and can be operated by either main connected power or from a battery pack. It is easy to use and does not require specialized engineering knowledge to apply. Ideal for both particular one-off systems as well as complex low cost high volume applications.



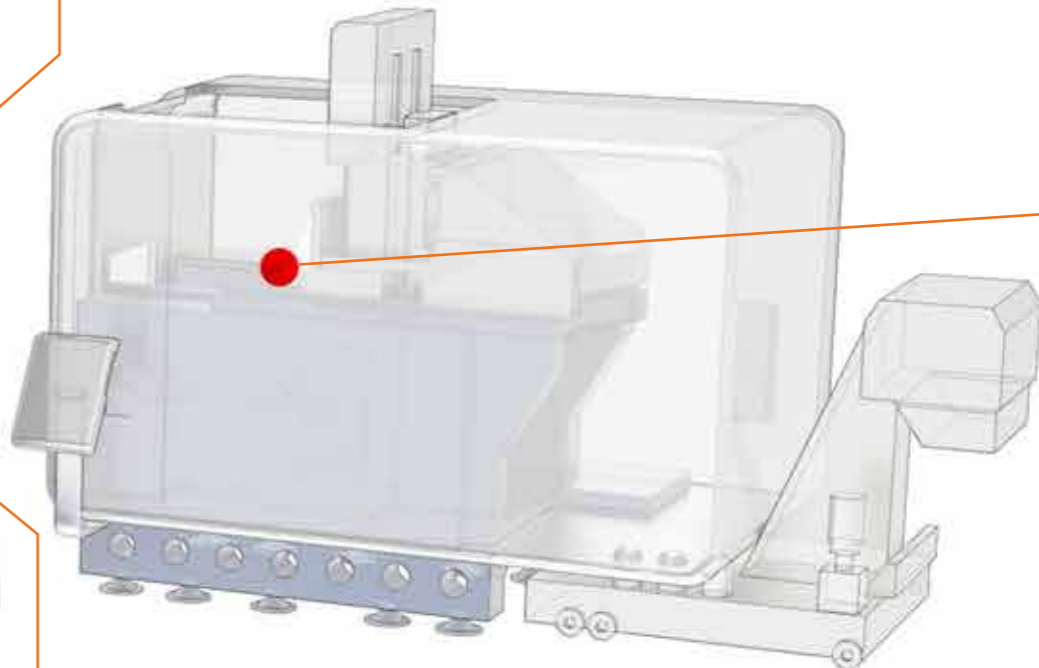
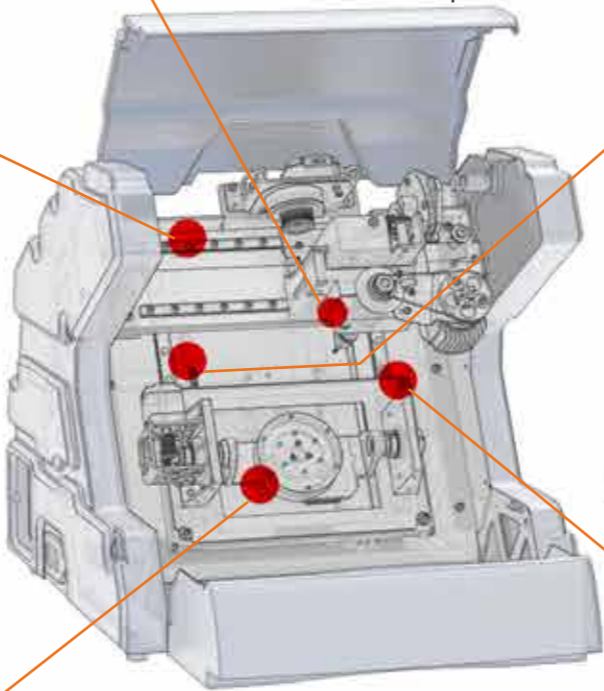
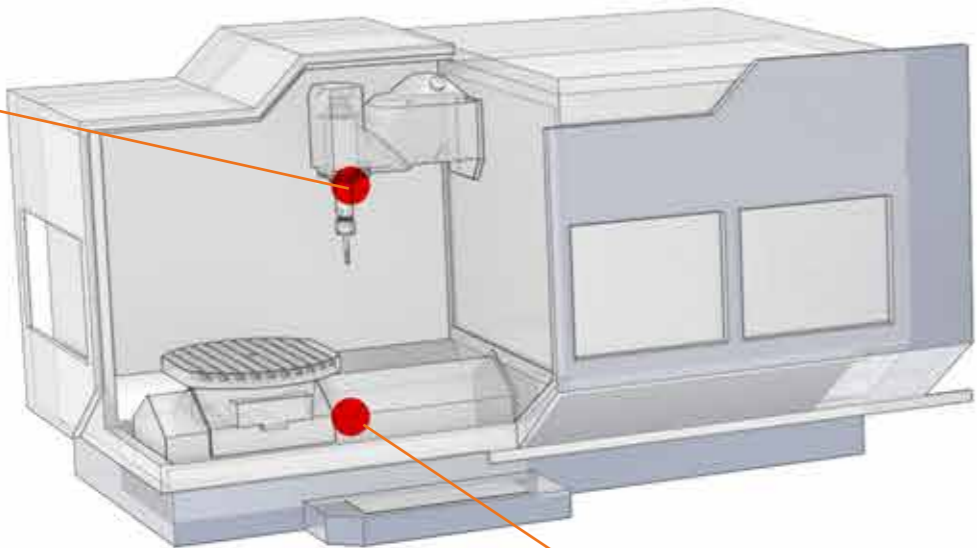
LOCOPUMP S3

The Locopump S3 grease is an ideal single acting pneumatic grease pump generally used in single line progressive divider lubrication systems. The transparent reservoir allows the user to clearly see the quantity of grease remaining and a low level grease switch is present to provide remote alarm signals to the machine it is mounted on. Additionally, the reservoir lid can be modified to install a High level or a Dropsa continual level sensing device.



BRAVO PUMP

The small grease pump package with big features. Design and advanced solutions for this small pump package containing many new features exclusive to DropsA, allowing innovative possibilities in lubrication systems engineering. The integrated next generation control system is a central to delivering these new solutions to the customer. It allows five different ways to trigger and control the lubrication event in a system.



SMX DIVIDER

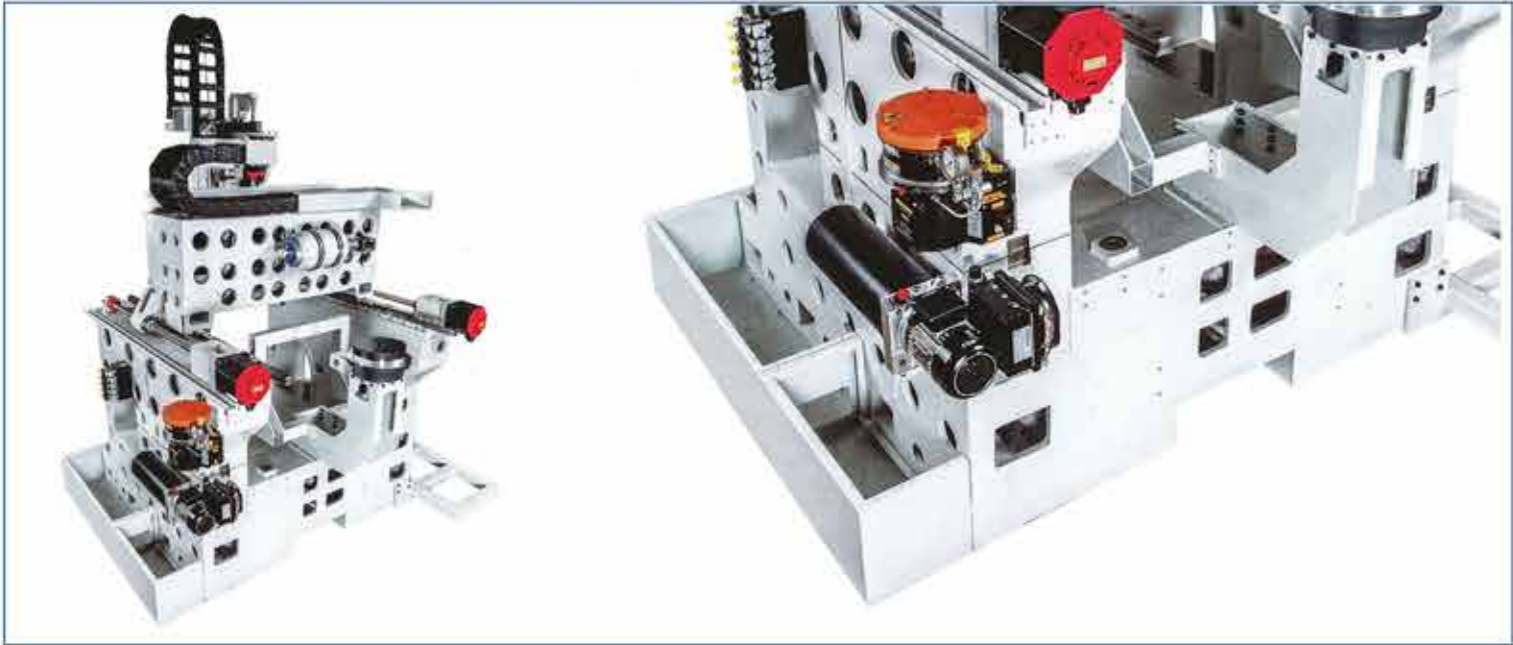
The modular system consists of two main components: the base and the metering elements. Conventional bridging pieces are eliminated. The distributor assembly principle enables factory floor distributor assembly to accommodate grouping of lubrication points. This revolutionary system makes the assembly easy and flexible; there is no need to determine in advance the size of the base, just add on distributors in unlimited number by means of very simple threaded inserts supplied for the assembly (Patented).



NP & NPR

Dropsa's nano-Progressive (nP) dividers are the ideal solution for oil and grease lubrication applications that require small and accurately dispensed quantity of lubricant in a compact solid and reliable footprint. The nano-nP uses the progressive movement of pistons to allow precise quantities of lubricant to be accurately dispensed to multiple points. Thanks to a patented RigidLock, novel interlocking mechanism between the elements it has the rigidity of a mono-block divider but the flexibility of a modular segmented unit. Dropsa's nano-Progressive Replaceable (nPr) dividers uses an innovative rail & lock concept to allow the element to be replaced or re-organized without the need to completely dismantle the assembly.

Automatic lubrication: optimisation of costs and work times



The use of lubrication systems is essential for correct machine operation, even more so when they work in heavy duty environmental conditions such as those related to machine tools. The installation of an automatic lubrication system allows for reduced machine downtime, control of lubricant consumption and an increased life of bearings, chains and gears. Thanks to its many years of experience and its widespread network of offices and dealers worldwide, DropsA provides specific solutions for all needs and follows the customer from the definition of the project to installation to after-sales support. The solutions proposed for the machine tools sector are applicable on all the various machine types:



Systems Solutions



DropsA

Since 1946, DropsA has been producing systems and components for centralised lubrication, continuously developing new products and patents that have contributed to making the lubrication sector all over the world more innovative and competitive.

DropsA offers a vast range of products capable of maximising the profitability and productivity of your machinery, providing the latest technologies in terms of systems, functionality and components. Thanks to the branches and the specialised distribution channels, DropsA provides prompt responses, support and assistance to customers on a local or global level, guaranteeing the same high quality standards all over the world.



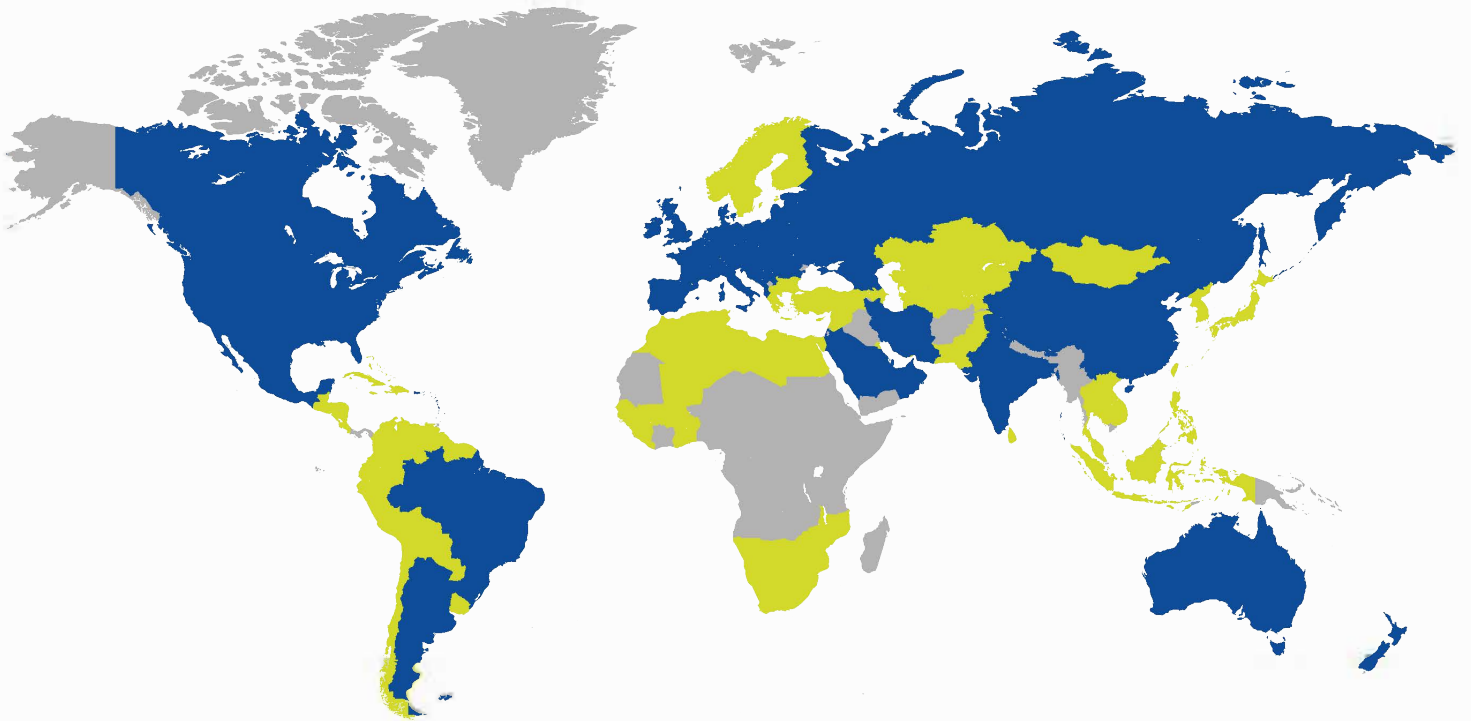
DropsA Production

The production, processing and automated assembly systems that are in the central plant near Milan are equipped with an advanced quality monitoring and product traceability system in order to guarantee both highly efficient processing and product assembly that accurately reflects the technical specifications. Continuous investments in all of the areas of design, engineering and production of the products ensure a constant increase in the reliability of the products themselves.



DropsA

Lubrication systems specialists



@DropsA #LubricationSystems #Solutions #Innovation #Technology