



Höganäs Bjuv
Refractories

Bent-Ole
Lindahl

226 Years Ago

1797

Höganäs Coal Mining Company founded.



1825

First production of refractory brick at Höganäs.



189 Years Ago

1998

Borgestad Group acquires Höganäs Bjuf in Sweden and GZMO, which has 3 plants in Poland.



BORGESTAD ASA

1998

**START IN
MALAYSIA**

15 Years Ago

2008

Borgestad Industries publicly listed on the Oslo Stock Exchange under the ticker BIND.





BORGESTAD ASA



GL Contracting
Refractory Installation Specialists



BORGESTAD
INDUSTRIES

MACON



Production and Products



Production

Modern Production Facilities

- ✓ HQ, Bjuv City of Sweden
- ✓ Own Quarry
- ✓ Strategic Partners;
 - China
 - India
 - Malaysia
 - South America



- ✓ Complete R&D Facility
- ✓ Product Development
- ✓ Design Testing

Production

Modern Production facilities

- ✓ Fully ISO Certified Production and QC system
- ✓ State of the art Press and Robotics
- ✓ Highly Automatic production logistics



Products

Full Range Product Line:

- ✓ Standard Bricks
- ✓ FireClay & High Alumina
- ✓ Engineered Bricks
- ✓ Monolithics
- ✓ Fire Bolt Segments, TM
- ✓ Linometer, TM
- ✓ Corrotex, TM

Bricks MgO Bricks

PRODUCT NAME	TYPE OF PRODUCT
MAGNESIA SPINEL BRICKS	
MAGKOR-D-LE	Fired magnesia spinel refractory brick with favours coating development.
MAGKOR-S10-LE	Fired magnesia spinel with low elastic modulus and resistance to thermal shock, coating development.
MAGKOR-B	Fired chromite ore fire spinel refractory brick with stable, low Fe ₂ O ₃ content, with high resistance to thermal shock and refract.
MAGKOR-B-RA	Fired chromite ore fire spinel refractory brick with abrasion and chlorine corrosion resistance.
MAGKOR-B-IP	Fired magnesia spinel with very low permeability, gases and clinker liquid retention.
MAGKOR-B-LE	Fired magnesia spinel with high resistance to fire and low elastic modulus.
MAGKOR-DB	Special direct bonded high hot modulus refractory with resistance to clinker corrosion indicating different alkali content great variability.
MAGKOR-B-RA-IP	Improved version RA with very low, High refractoriness.
MAGKOR-B-XE	Special magnesia can absorb alkali and increase its resistance to clinker corrosion. Recommended for more elastic refractory high mech.
MAGKOR-XLP	Special version with additives and keep it stable. Recommended special clinker phase content.
MAGNESIA CHROME BRICKS	
MAGNEFOR	Magnesia-chrome with high the

Bricks Fire Clay & High Alumina

PRODUCT NAME	TYPE OF PRODUCT	Bulk density g/cm ³
Unit		
FIRE CLAY		
VIKING 330	Alkali resistant brick based on fireclay	2.15
VIKING 450	Alkali resistant brick based on fireclay	2.21
ALEX	Fireclay brick boosted with bauxite	2.3
BULF SX	Plastic shaped alkali resistant brick based on fireclay	2.0
HIGH ALUMINA		
VICTOR 60 RK	Phosphate bonded fired high alumina brick based on bauxite	2.3
VICTOR 70 RK	Phosphate bonded fired high alumina brick based on bauxite	2.3
VICTOR 80 RK	Phosphate bonded fired high alumina brick based on bauxite	2.3
CERTAIN APPLICATIONS		
VICTOR HWL	High Alumina brick based on dense synthetic chamotte	2.3
VICTOR HWM	High alumina brick based on bauxite	2.3
SIC BOOSTED		
ALSIC 500 *	Alkali resistant fire clay brick boosted with bauxite and silicon carbide	2.3
ALSIC 4000 *	Alkali resistant andalusite brick boosted with silicon carbide	2.3

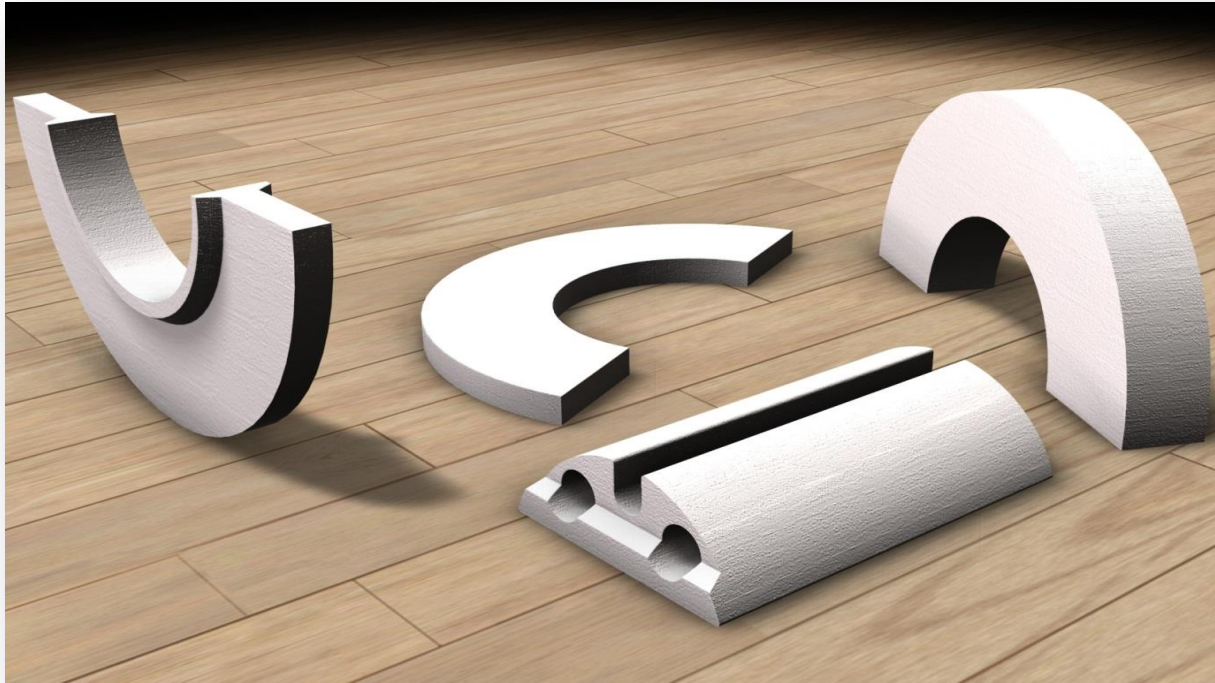
Below data are average values
The values for the physical properties are valid for pressed normal brick

Monolithic

PRODUCT NAME	TYPE OF PRODUCT
Unit	
CONVENTIONAL CASTABLES	
530 SOLCAST	Alkali resistant conventional castable based on chamotte
522 VICTOR KORUND ES QF	Conventional castable based on tabular alumina
LOW CEMENT CASTABLES	
562 DENSCAST SICTO	Low cement castable based on silicon carbide
561 DENSCAST SIC 30	Low cement castable based on silicon carbide and chamotte
DENSCAST AXL QF	Castable based on andalusite and silicon carbide
544 DENSCAST 50 A QF	Alkali resistant low cement castable based on chamotte
552 DENSCAST 60 QF	Low cement castable based on chamotte and andalusite
547 DENSCAST 80 QF	Low cement castable based on tabular alumina
INSULATING CASTABLES	
VICTOR INSUL 1050	Insulating conventional castable based on vermiculite (gunning possible)
VICTOR INSUL 1150	Insulating conventional castable based on vermiculite (gunning possible)
612 VICTOR INSUL G	Insulating conventional castable based on porous chamotte
GUNNING MIXES	
VICTOR GUN 65	Cement bonded gunning mix based on chamotte and bauxite
580 SICTOGUN 30	Cement bonded gunning mix based on silicon carbide

Products

Engineered, Fully Fired Bricks, Fine Tollerances

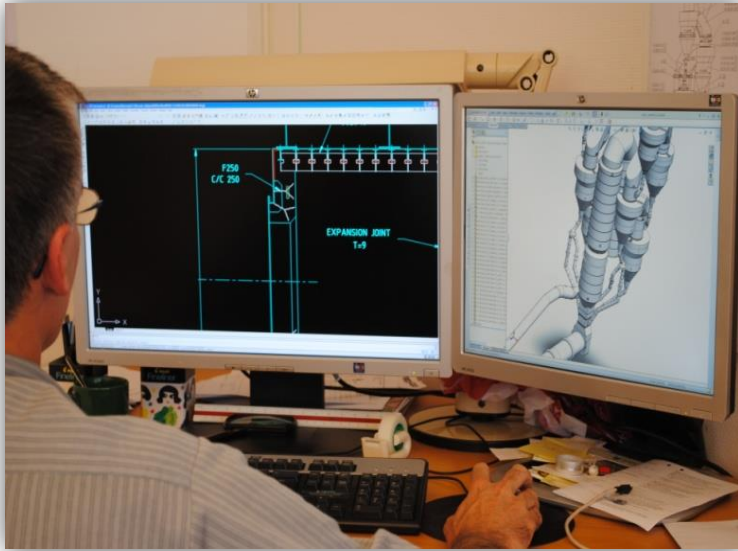


Products

Engineered, Fully Fired Bricks, Fine Tollerances



Sales, Design and Site Services



Sales Services

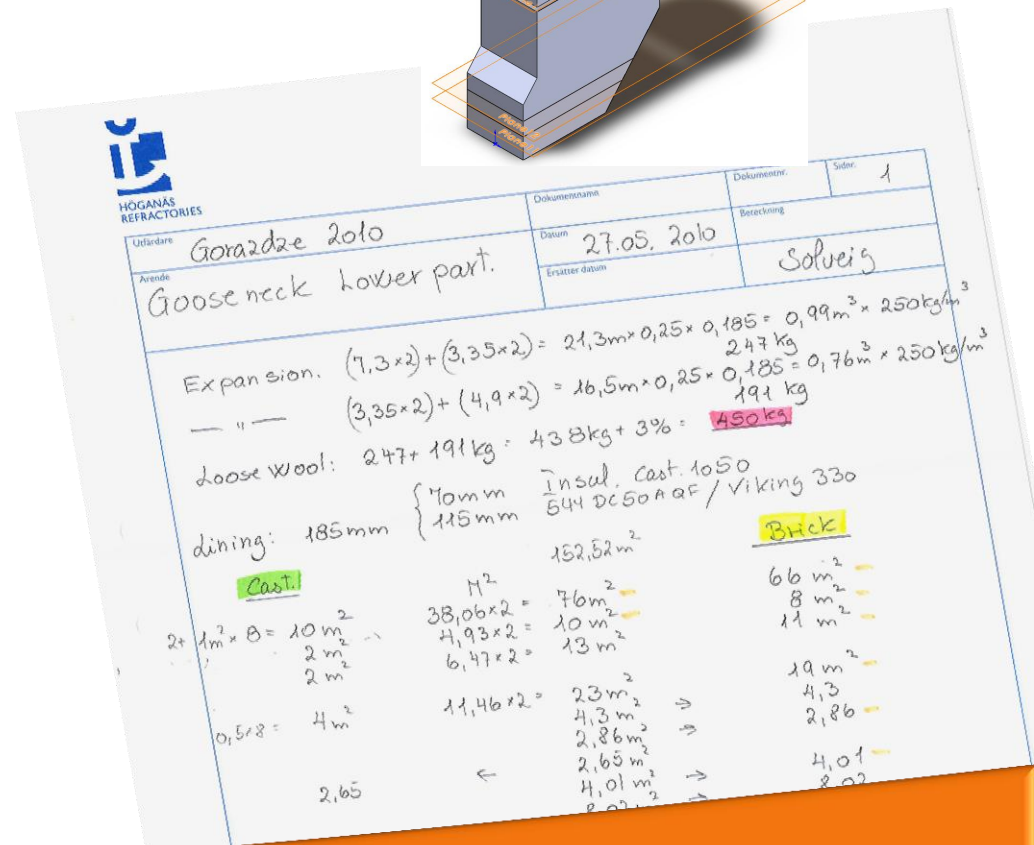
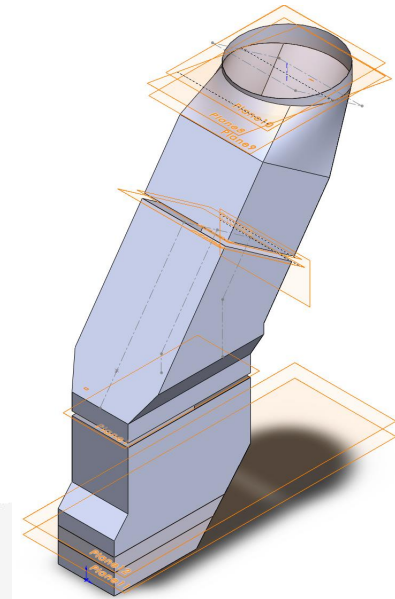
- ✓ Experienced Sales Team
- ✓ Located Near You
- ✓ Site Inspections
- ✓ Technical Improvements
- ✓ Design



Design Services

Our Design Offices

- ✓ Vast Design Library
- ✓ 3D Design, Inventor
- ✓ 2D Design, AutoCad
- ✓ Highly Experienced
- ✓ In 3 Dedicated Places
 - Bjuv, Sweden (HQ)
 - KL, Malaysia
 - Nicosia, Cyprus



Site Services

Supervision

- ✓ Highly Experienced Staff
- ✓ Green Field Projects and Retrofitting
- ✓ Lining Inspections
- ✓ Reporting and Documentation
- ✓ Site Management
- ✓ Five Selected Locations
 - Bjuv, Sweden (HQ)
 - Kuala Lumpur, Malaysia
 - Nicosia, Cyprus
 - Manilla, Philippines
 - Gliwice, Poland



Site Services

Turn Key Installations

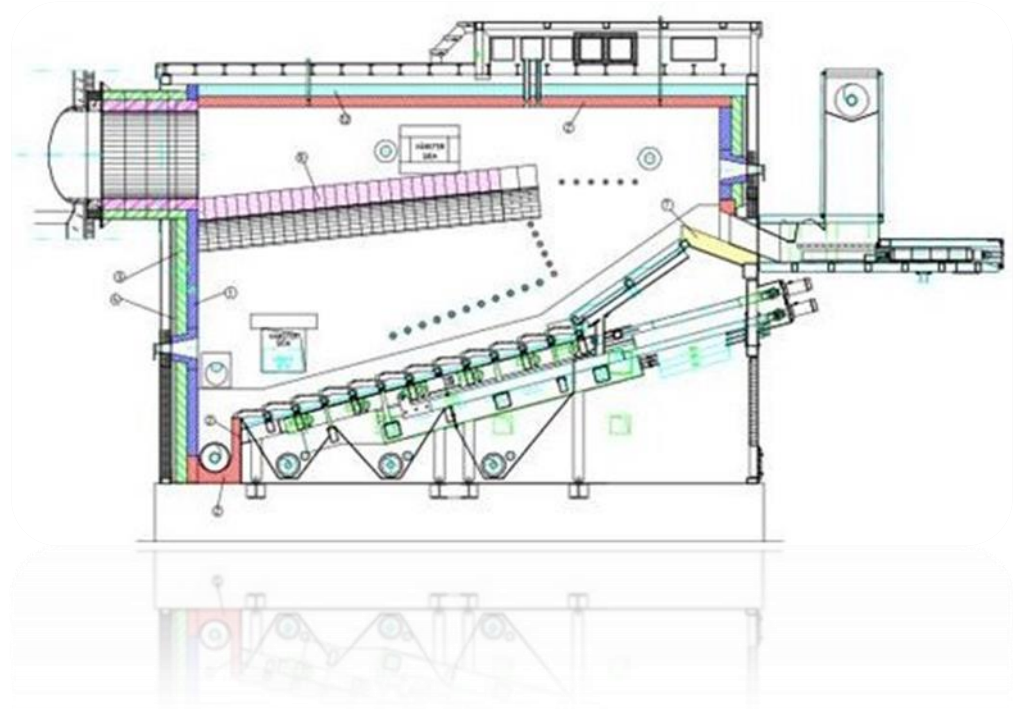
- ✓ Highly Experienced Team
- ✓ Green Field Projects and Retrofitting
- ✓ World Wide
 - North and South America
 - Scandinavia and Europe
 - Middle East
 - Asia
 - Thailand
 - Malaysia
 - Singapore
 - Taiwan
 - China



Reporting

Detailed Description

- ✓ Work Carried Out
- ✓ Engineering Details
- ✓ Lining Thickness
- ✓ Quality Certification
- ✓ Work Certification
- ✓ Step Recording
- ✓ Photos and Videos
- ✓ Compiled at Handover



Refractory Management

- ✓ We carry out: complete assessment of hot surfaces
- ✓ We provide: professional objective judgment on conditions
- ✓ Our objectives are: one year hassle free operation
- ✓ Full reporting include:
 - ✓ Status of all included refractory parts
 - ✓ Photographs
 - ✓ Sketches
 - ✓ Financial budget; one to five years operation
- ✓ Service contract
- ✓ 2 - 5 Years Warranty



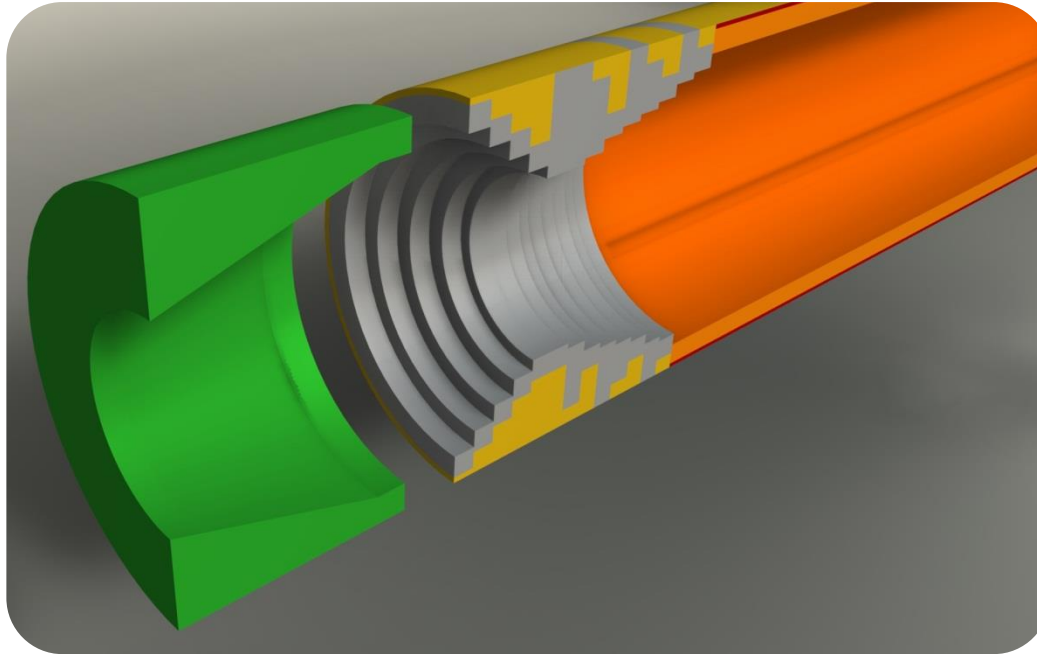
Main Business Areas

- ✓ Cement Industry
- ✓ Steel Industry
- ✓ Brilliant

Business Area, Brilliant

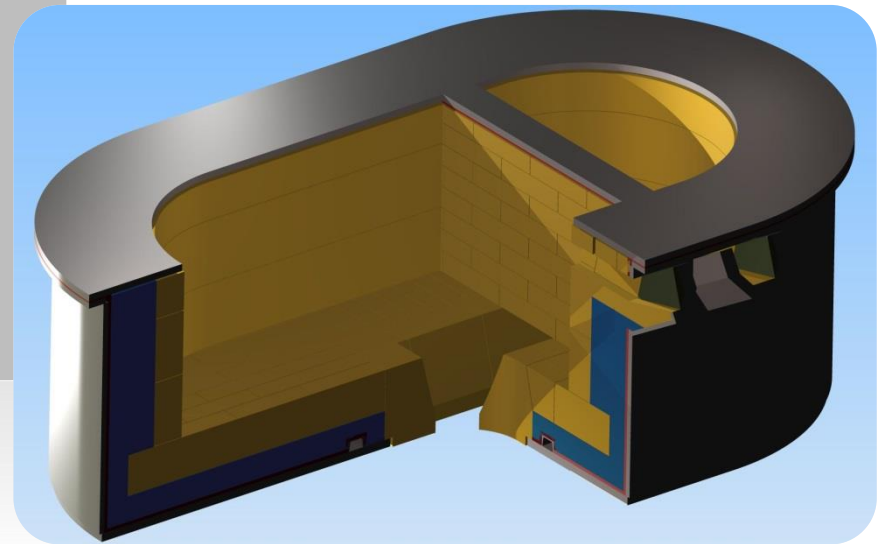
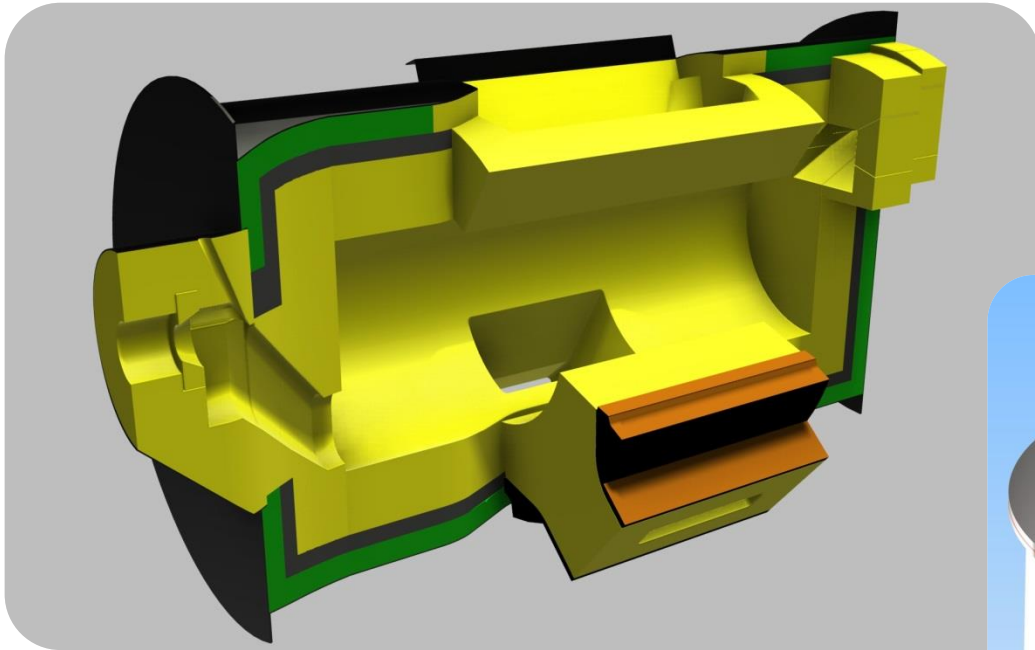
- ✓ Pulp and Paper
- ✓ Copper Smelting
 - ✓ Power
 - ✓ Incineration
- ✓ Aluminum Smelting
 - ✓ Fertilizing

Pulp and Paper



✓ Lime Kiln, Dam Construction

Copper



✓ Melting and Holding Furnace

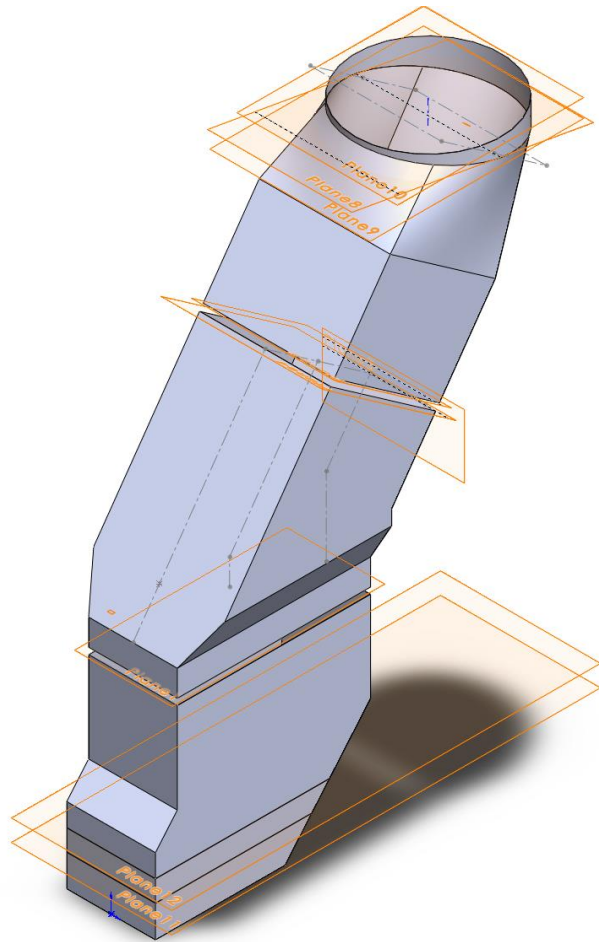
Special Applications

✓ Acid Resistant Masonry

- Bleaching Processes
- Liquor Processing



ALWAYS A SMART CHOICE



ALWAYS A SMART CHOICE



We believe in;

- Best Design
- Best Material
- Best Installation
- Best Service

No Weak Link



Thank You!