



## Electric **CONVECTION OVEN**

### Features

- 3 high power 3.3KW heating elements-total 10KW / Three Phase\*
- 3 high power 3.3KW heating elements-total 10KW / Single Phase\*
- Dial type easy to use thermostat
- Temperature range: 150°-500°F (66°-260°C)
- Independent doors with full view windows
- 2-speed, ½ HP fan motors (1140 & 1725rpm) for even heat distribution and forced "cool down" fan mode
- Porcelain enamel oven interior for easy cleaning
- Stainless steel front, sides & top exterior
- 5 nickel plated Heavy Duty racks, 11 rack positions

\* Please specify phase when ordering



IECO



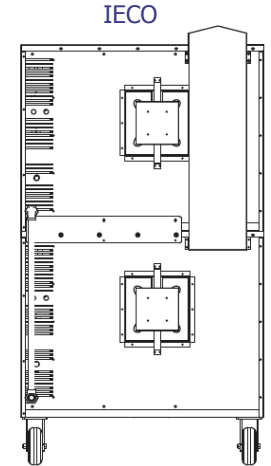
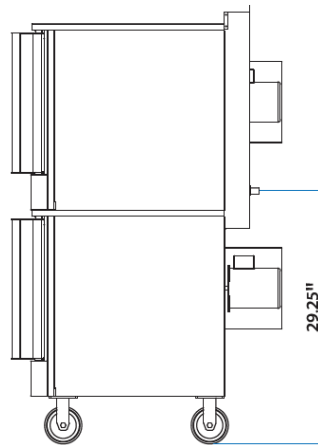
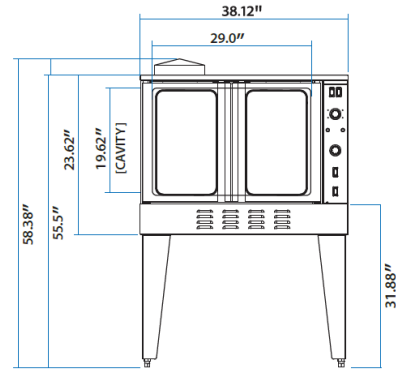
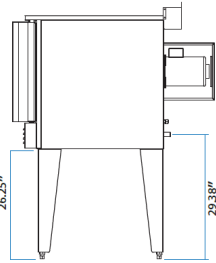
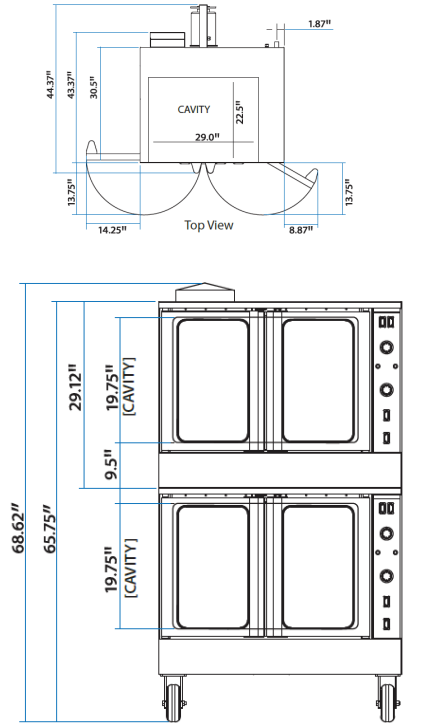
IECO-2





# Electric CONVECTION OVEN

Dimensions in inches



## Specifications

Model	Overall Dimensions	Oven Interior	Rack Clearance	Shipping Crate(s)
IECO	38.12"W x 44.37"D x 60"H (96.8cm x 112.7cm x 152.4cm)	29" W x 22.5" D x 19.37" H (74cm x 57cm x 50cm)	28"W x 21"D (72cm x 53.3cm)	45.3"W x 49.2" D x 37" H, 48 cu ft., 511 lbs (115cm x 125cm x 99cm, 1.35 cu m., 232kgs)
IECO-2	38.12"W x 44.37"D x 65.62"H (96.8cm x 112.7cm x 166.7cm)	29" W x 22.5" D x 19.37" H (74cm x 57cm x 50cm)	28"W x 21"D (72cm x 53.3cm)	2 Single Oven Crates, Total, 96cu ft., 1022 lbs. (2.7cu m., 464kgs.)

### Electrical Specifications:

Voltage: 208-240V, Power: 10KW, Amps Three Phase: 31-27A  
 Voltage: 208-240V, Power: 10KW, Amps Single Phase: 53-46A

- IECO Includes leg and caster kit
- IECO-2 Includes stacking kit



Leg or Stacking Kits	Shipping Carton	Weight
IECO SINGLE LEG AND CASTER KIT	29.9"W x 18.1"D x 8.7"H (76cm x 46cm x 22cm)	41lb 18.5kg
IECO DUAL STACKING KIT	38.2"W x 11.8"D x 6.7"H (97cm x 30cm x 17cm)	35lb 16kg



Tel.: 786.600.4687 / Toll Free: 844.218.8477  
 Fax: 786.661.4100



Tel.: 514.737.9701 / Toll Free: 888.275.4538  
 Fax: 514.342.3854 / Toll Free: 877.453.8832  
 sales@mvpgroupcorp.com

3560 NW 56th St.  
 Fort Lauderdale, FL 33309 USA  
 5659 Royalmount Ave.  
 Montreal, QC H4P2P9 CANADA



www.mvpgroupcorp.com