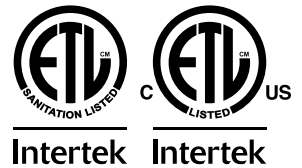




Ice Shaver
Model IC-CN-0050
Item 43466
Instruction Manual



Revised - 06/26/2017



Toll Free: 1-800-465-0234
Fax: 905-607-0234
Email: service@omcan.com
www.omcan.com

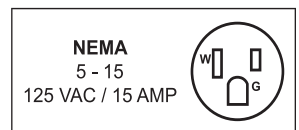


Table of Contents

Model IC-CN-0050

Section	Page
General Information -----	3 - 4
Safety and Warranty -----	4 - 7
Technical Specifications -----	7 - 8
Installation -----	8
Operation -----	9
Maintenance -----	9 - 11
Troubleshooting -----	12
Parts Breakdown -----	13 - 14
Electrical Schematics -----	15
Notes -----	16 - 18
Warranty Registration -----	19



General Information

Omcan Manufacturing and Distributing Company Inc., Food Machinery of America, Inc. dba Omcan and Omcan Inc. are not responsible for any harm or injury caused due to any person's improper or negligent use of this equipment. The product shall only be operated by someone over the age of 18, of sound mind, and not under the influence of any drugs or alcohol, who has been trained in the correct operation of this machine, and is wearing authorized, proper safety clothing. Any modification to the machine voids any warranty, and may cause harm to individuals using the machine or in the vicinity of the machine while in operation.

CHECK PACKAGE UPON ARRIVAL

Upon receipt of an Omcan shipment please inspect for external damage. If no damage is evident on the external packaging, open carton to ensure all ordered items are within the box, and there is no concealed damage to the machine. If the package has suffered rough handling, bumps or damage (visible or concealed), please note it on the bill of lading before accepting the delivery and contact Omcan within 24 hours, so we may initiate a claim with the carrier. A detailed report on the extent of the damage caused to the machine must be filled out within three days, from the delivery date shown in the shipping documents. Omcan has no recourse for damaged products that were shipped collect or third party.

Before operating any equipment, always read and familiarize yourself with all operation and safety instructions.

Omcan would like to thank you for purchasing this machine. It's of the utmost importance to save these instructions for future reference. Also save the original box and packaging for shipping the equipment if servicing or returning of the machine is required.

Omcan Fabrication et distribution Compañie Limité et Food Machinery d'Amérique, dba Omcan et Omcan Inc. ne sont pas responsables de tout dommage ou blessure causé du fait que toute personne ait utilisé cet équipement de façon irrégulière. Le produit ne doit être exploité que par quelqu'un de plus de 18 ans, saine d'esprit, et pas sous l'influence d'une drogue ou d'alcool, qui a été formé pour utiliser cette machine correctement, et est vêtu de vêtements de sécurité approprié. Toute modification de la machine annule toute garantie, et peut causer un préjudice à des personnes utilisant la machine ou des personnes à proximité de la machine pendant son fonctionnement.

VÉRIFIEZ LE COLIS DÈS RÉCEPTION

Dès réception d'une expédition d'Omcan veuillez inspecter pour dommages externes. Si aucun dommage n'est visible sur l'emballage externe, ouvrez le carton afin de s'assurer que tous les éléments commandés sont dans la boîte, et il n'y a aucun dommage dissimulé à la machine. Si le colis n'a subi aucune mauvaises manipulations, de bosses ou de dommages (visible ou cachée), notez-le sur le bond de livraison avant d'accepter la livraison et contactez Omcan dans les 24 heures qui suivent, pour que nous puissions engager une réclamation auprès du transporteur. Un rapport détaillé sur l'étendue des dommages causés à la machine doit être rempli dans un délai de trois jours, à compter de la date de livraison indiquée dans les documents d'expédition. Omcan n'a aucun droit de recours pour les produits endommagés qui ont été expédiés ou cueilli par un tiers transporteur.

General Information

Avant d'utiliser n'importe quel équipement, toujours lire et vous familiariser avec toutes les opérations et les consignes de sécurité.

Omcan voudrais vous remercier d'avoir choisi cette machine. Il est primordial de conserver ces instructions pour une référence ultérieure. Également conservez la boîte originale et l'emballage pour l'expédition de l'équipement si l'entretien ou le retour de la machine est nécessaire.

Omcan Empresa De Fabricacion Y Distribucion Inc. Y Maquinaria De Alimentos De America, Inc. dba Omcan y Omcan Inc. no son responsables de ningun daño o perjuicio causado por cualquier persona inadecuada o el uso descuidado de este equipo. El producto solo podra ser operado por una persona mayor de 18 años, en su sano juicio y no bajo alguna influencia de droga o alcohol, y que este ha sido entrenado en el correcto funcionamiento de esta máquina, y ésta usando ropa apropiada y autorizada. Cualquier modificación a la máquina anula la garantía y puede causar daños a las personas usando la máquina mientras esta en el funcionamiento.

REVISE EL PAQUETE A SU LLEGADA

Tras la recepcion de un envio Omcan favor inspeccionar daños externos. Si no hay daños evidentes en el empaque exterior, Habra el carton para asegurarse que todos los articulos solicitados estén dentro de la caja y no encuentre daños ocultos en la máquina. Si el paquete ha sufrido un manejo de poco cuidado, golpes o daños (visible o oculto) por favor anote en la factura antes de aceptar la entrega y contacte Omcan dentro de las 24 horas, de modo que podamos iniciar una reclamación con la compañía. Un informe detallado sobre los daños causados a la máquina debe ser llenado en el plazo de tres días, desde la fecha de entrega que se muestra en los documentos de envío. Omcan no tiene ningun recurso por productos dañados que se enviaron a recoger por terceros.

Antes de utilizar cualquier equipo, siempre lea y familiarizarse con todas las instrucciones de funcionamiento y seguridad.

Omcan le gustaría darle las gracias por la compra de esta máquina. Es de la mayor importancia para salvar estas instrucciones para futuras consultas. Además, guarda la caja original y el embalaje para el envío del equipo si servicio técnico o devolución de la máquina que se requiere.

Safety and Warranty

Your safety and the safety of others are very important. We have provided many important safety messages in this manual and on your appliance. Always read and obey all safety messages.

DANGER

Means that failure to heed this safety statement may result in severe personal injury or death.



Safety and Warranty

WARNING

Means that failure to heed this safety statement may result in extensive product damage, severe personal injury or death.

CAUTION

Means that failure to heed this safety statement may result in minor or moderate personal injury, or property or equipment damage.

All safety messages will alert you to what the potential hazard is, tell you how to reduce the chance of injury, and let you know what would happen if the instructions are not followed.

IMPORTANT SAFETY INSTRUCTIONS

WARNING: To reduce the risk of fire, electric shock or injury, when using your units, follow these basic precautions:

- Plug into grounded 3-prong outlet.
- Do not remove grounding prong.
- Do not use an adapter.
- Do not use an extension cord.

SAVE THESE INSTRUCTIONS

IMPORTANT SAFEGUARDS

Before the unit is used, it must be properly positioned and installed as described in this manual, so read the manual carefully. The warranty may be affected or voided by an incorrect installation. To reduce the risk of fire, electrical shock or injury when using the appliance, follow basic precautions, including the following:

DANGER

- It is recommended that a separate circuit, serving only your appliance, be provided. Use receptacles that cannot be turned off by a switch or pull chain.
- Do not connect or disconnect the electric plug when your hands are wet.
- Never unplug by pulling on the power cord. Always grip the plug firmly and pull straight out from the outlet.
- Never clean the appliance parts with flammable fluids. Do not store or use gasoline or other flammable vapors and liquids in the unit or in the vicinity of this or any other appliance. The fumes can create a fire hazard or explosion.
- Before proceeding with cleaning and maintenance operations, make sure the power line of the unit is disconnected.
- Unplug the appliance or disconnect power before cleaning or servicing. Failure to do so can result in electrical shock or death.
- Do not attempt to repair or replace any part of your appliance unless it is specifically recommended in this manual. All other servicing should be done by a qualified technician.

WARNING

- The appliance must be installed with all electrical connections in accordance with state and local codes. A standard electrical supply as mentioned on the nameplate, properly grounded in accordance with the

Safety and Warranty

National Electrical Code and local codes and ordinances is required.

- Do not kink or pinch the power supply cord between the appliance and the cabinet.
- The fuse (or circuit breaker) size should be minimum 10 amperes for the appliance.
- It is important for the appliance to be well leveled for proper operation.
- Remove the packing materials and clean the appliance before using.
- If the appliance will not be used for a long time, before the next use it must be thoroughly cleaned. Follow carefully any instructions provided for cleaning or use of sanitizing solution. Do not leave any solution inside the appliance after cleaning.
- DO NOT use solvent-based cleaning agents or abrasives on the interior. These cleaners may damage or discolor the interior. Use rubber gloves to protect hands.
- Carefully read the material safety instructions on the container of the appliance cleaner.
- Never allow children to operate, play with the appliance.
- DO NOT use this apparatus for other than its intended purpose.

ELECTRICAL CONNECTION

Do not, under any circumstances, cut or remove the third (ground) prong from the power cord. For personal safety, this appliance must be properly grounded. The power cord of this appliance is equipped with a 3-prong grounding plug that mates with a standard 3-prong grounding wall outlet to minimize the possibility of electric shock hazard from the appliance. Have the wall outlet and circuit checked by a qualified electrician to make sure the outlet is properly grounded. When a standard 2-prong wall outlet is encountered; it is your responsibility and obligation to have it replaced with a properly grounded 3-prong wall outlet. The appliance should always be plugged into its own individual electrical outlet which has a voltage rating that matches the rating label on the appliance, this provides the best performance and also prevents overloading house wiring circuits which could cause a fire hazard from overheated wires. Never unplug your appliance by pulling on the power cord. Always grip the plug firmly and pull straight out from the outlet. When moving the appliance, be careful not to damage the power cord.

EXTENSION CORD

Because of potential safety hazards under certain conditions, it is strongly recommended that you do NOT use an extension cord with this appliance.

1 YEAR PARTS AND LABOUR BENCH WARRANTY

Within the warranty period, contact Omcan Inc. at 1-800-465-0234 to schedule a drop off to either an Omcan authorized service depot in the area, or to an Omcan Service warehouse to repair the equipment.

Unauthorized maintenance will void the warranty. Warranty covers electrical and part failures, not improper use.

Please see www.omcan.com/warranty.html for complete info.

Safety and Warranty

WARNING:

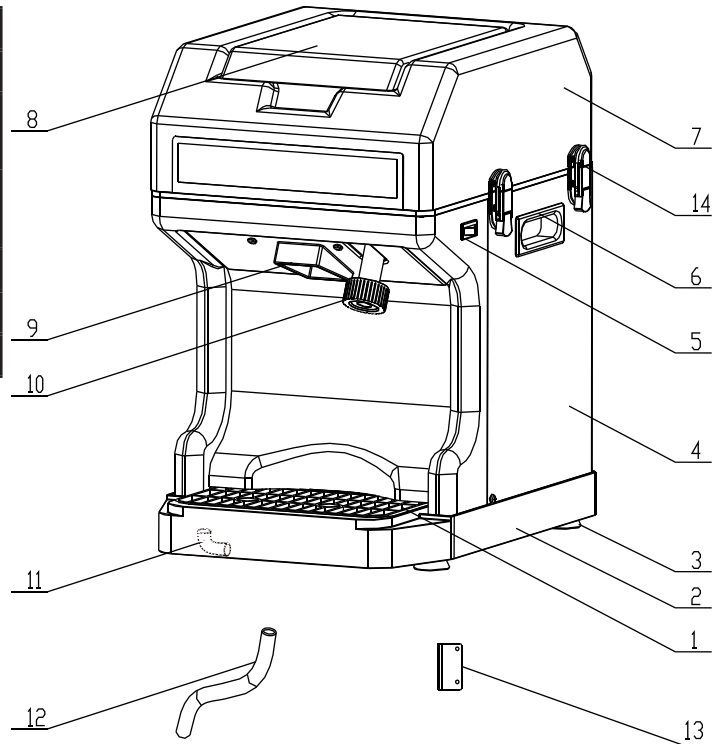
The packaging components (cardboard, polyethylene, and others) are classified as normal solid urban waste and can therefore be disposed of without difficulty.

In any case, for suitable recycling, we suggest disposing of the products separately (differentiated waste) according to the current norms.

DO NOT DISCARD ANY PACKAGING MATERIALS IN THE ENVIRONMENT!

Technical Specifications

1	Water leakage plate.	8	Lid.
2	Base unit.	9	Ice duct.
3	Foot.	10	Blade adjustment knob.
4	Outer shell.	11	Melt water drain outlet.
5	Power switch.	12	Drain pipe.
6	Handle.	13	Accessories.
7	Top cover.	14	Lock.



Technical Specifications

Model	IC-CN-0050
Voltage	115V / 60Hz
Power	200W
Capacity (1 cubic inch)	70 cubes
Max. Ice Shaving Capacity per Minute	16.5 lbs. / 7.5 kgs.
Dimensions	12.8" x 15.75" x 17.9" / 325 x 400 x 455mm
Weight	33.7 lbs. / 15.3 kgs.
Item Number	43466

Installation

UNPACKING

Remove packaging materials

IMPORTANT: Do not remove any permanent instruction labels or the data labels on your appliance.

- Remove the appliance from the packaging. Make sure that all protective plastic film and coatings are thoroughly removed from all inner and outer surfaces.
- Do not use sharp instruments, rubbing alcohol, flammable fluids, or abrasive cleaners to remove tape or glue.

NOTE: Before using the appliance for the first time, clean the internal cabinet with soapy water and sanitizing solution (See the Maintenance section of manual).

LOCATION REQUIREMENTS

Make sure the unit is installed on a flat surface and in a stable condition while in use. Keep away at least 10" from the edge of the surface to reduce the risk of the unit falling. Keeping away from a heat source is essential.

NOTE: The appliance is for indoor use only.

Operation

- Open the lid, and clean the inside hopper with dry cloth. Then carefully press on the flat surface of the blade to make sure it is well fixed.
NOTE: It is extremely important that:
- WHEN CHECKING THE BLADE BE SURE THE UNIT IS LOW ENOUGH SO YOU MAY SEE INSIDE THE HOPPER. DO NOT REACH IN WITHOUT FULL VISIBILITY OF THE LOCATION OF THE BLADE.
- DO NOT TOUCH THE END OF THE BLADE. IT IS SHARP AND MAY RESULT IN SERIOUS INJURY.
- Before plug the power cord in please examine the cord, plug if there is any damage or hidden danger of leakage, or the contact is good. The unit has power on demand and is always off.
- Open the lid and put in defined amount of ice cubes, then cover it. Kindly take note that the maximum of ice cubes in the hopper should be at least 5cm deep from the top surface of the machine.
- Close the lid and Switch it on by the power switch on the side of the machine. For your safety, shaving will not start with lid open.
- You can adjust the size of ice flake from big to small by turning the adjusting knob.
- For its full utilization and optimum efficiency, it is suggested that the diameter of the ice cubes should be around 1". Big ice should be hammered into small pieces to make sure the size is suitable.
IMPORTANT: DO NOT HAMMER ICE INSIDE OF THE HOPPER OR YOU MAY DAMAGE THE EQUIPMENT.
- If ice is stuck together in the hopper and will not separate with a gentle tap, carefully remove the ice in order to break it apart for standard operation.

Maintenance

WARNING

Before proceeding with cleaning and maintenance operations, make sure the power line of the unit is disconnected.

CLEANING

- Switch off and disconnect from the power supply before cleaning.
- Clean the interior of the appliance as often as possible.
- Do not use abrasive cleaning agents. These can leave harmful residues.
- Always use mild soapy water to clean the interior of the appliance. Rinse thoroughly with fresh water and wipe dry after cleaning.

SANITIZING SOLUTION

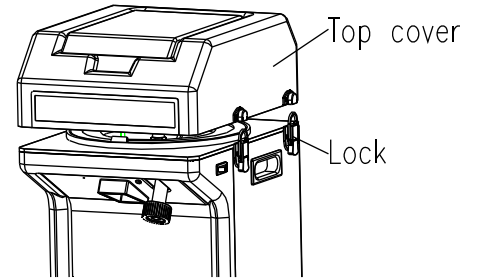
To sanitize the unit, prepare a sanitizing solution made with ½ oz of household bleach mixed with 1 gallon of hot water. Wipe the hopper and water proofing rings and blade let stand for at least 3 minutes. Rinse and dry thoroughly.

Use extreme caution when cleaning the interior of the appliance. Sharp blade can cut and cause injury.

Maintenance

CLEANING AND SANITIZING PROCESS

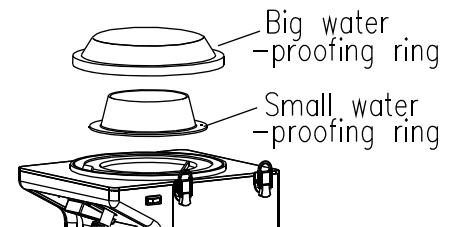
- Open the locks by hand, remove the top cover (DRAWING-A).
- Detach the big water-proofing ring, and then the small water-proofing ring (DRAWING-B).
- Using a clean cloth, wipe the plate and rings and exert caution to avoid injuries from the blade (DRAWING-C).



DRAWING-A

CLEANING

1. Clean the big waterproofing ring with mild soapy water and rinse thoroughly with fresh running tap water.
2. Clean the small waterproofing ring with mild soapy water and rinse thoroughly with fresh running tap water.
3. Clean the interior of the appliance with mild soapy water and rinse thoroughly.
4. Wipe dries all parts that have been cleaned. Please exercise caution when handling or cleaning near the blade (DRAWING-C).

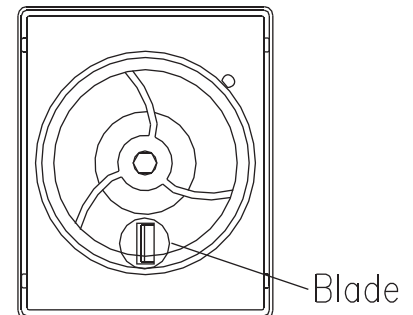


DRAWING-B

SANITIZING

Disassemble the blade from the machine before performing this step (see Changing the Blades).

1. With the prepared sanitizing solution made with ½ oz of household bleach mixed with 1 gallon of hot water.
2. Wipe the hopper, the big water proofing ring, the small waterproofing ring, and the blade and Ice duct and let stand for 3 minutes.
3. Apply the sanitizing solution to the drain outlet and let stand for 3 minutes.
4. Rinse all parts that were sanitized and dry them thoroughly.
5. Re-assemble the unit.



DRAWING-C

Note: Check the appliance again for safe and proper operation after cleaning and reassembling.

CHANGING THE BLADES



a



b



c



d



e



f



g

PREPARING THE APPLIANCE FOR LONG STORAGE

CAUTION

If your appliance is left unused for a long time, before the next use it must be thoroughly cleaned. Follow carefully any instructions provided for cleaning or use of sanitizing solution. Do not leave any solution inside your appliance after cleaning.

If the appliance will not be used for a long time or is to be moved to another place:

- Shut off the electric supply at the main electrical power source.
- Clean the interior of the appliance.

Troubleshooting

Before taking the unit for servicing check the following:

- If the unit appears to be malfunctioning, read through the OPERATION section of this manual first.
- If the problem persists, check the Troubleshooting Guide below. The problem may be simple and solvable without servicing.

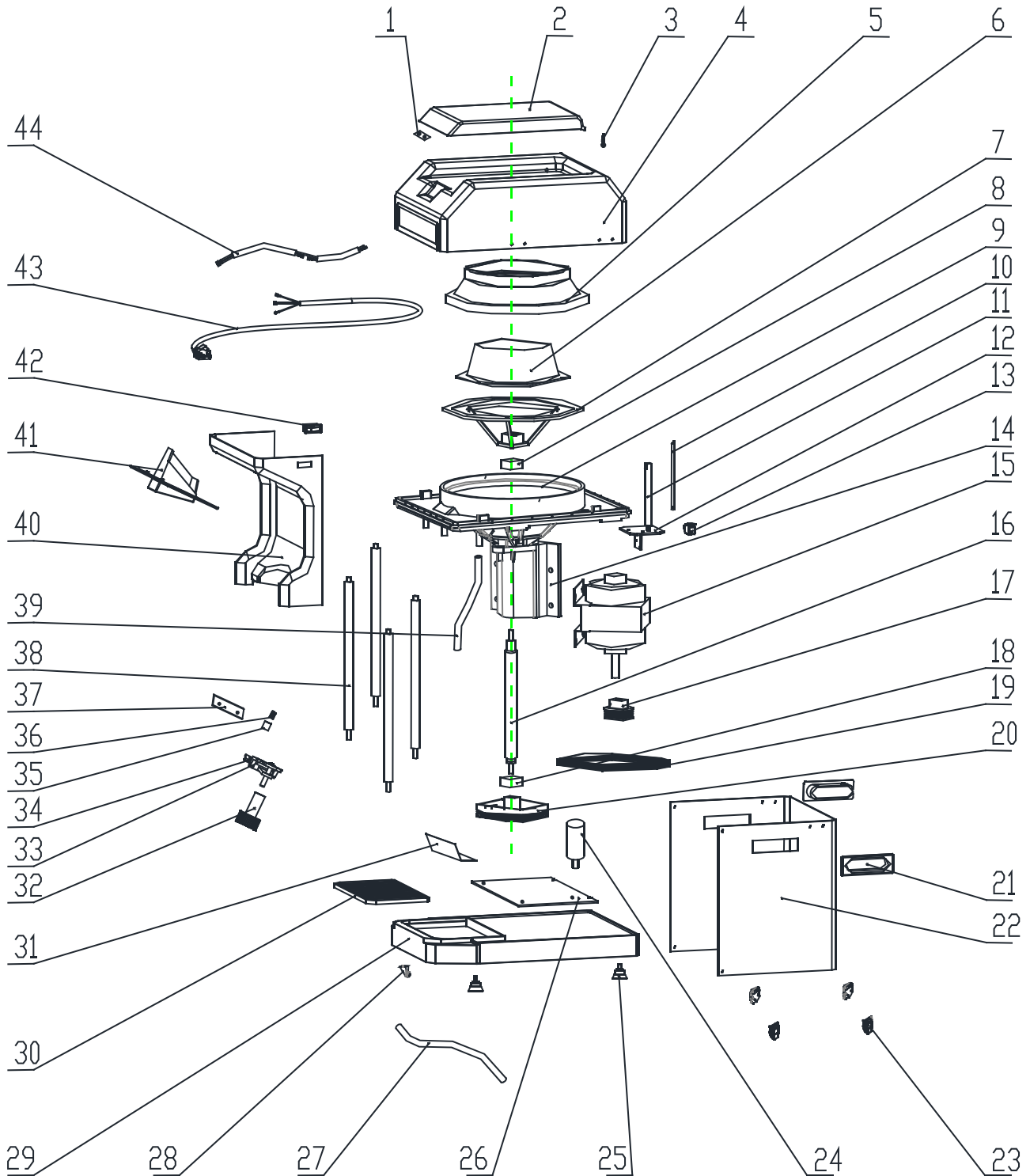
Problem	Possible Cause	Probable Correction
The appliance does not operate.	No power.	Connect the electric plug.
	Overheat protection of motor.	Wait for fall of temperature.
	The fuse in the outlet is blown.	Replace fuse.
	The power switch is damaged.	Replace power switch.
Unusual noise or vibrate excessively.	The appliance has not been installed in a level or stable position.	Check installation position and change if necessary.
	The fixed bolt on the appliance is loose.	Screw down the bolt.
	Ice cubes frozen together.	Separate them with ice-wimble.
	Larger ice.	Hammer into small pieces to make sure the size is suitable.

REFERENCE

Item Number	Model Number	Description	Manufacturer Model Number
43466	IC-CN-0050	Ice Shaver 110V/60HZ/1 cETLus/ETL	IS45

Parts Breakdown

Model IC-CN-0050 43466



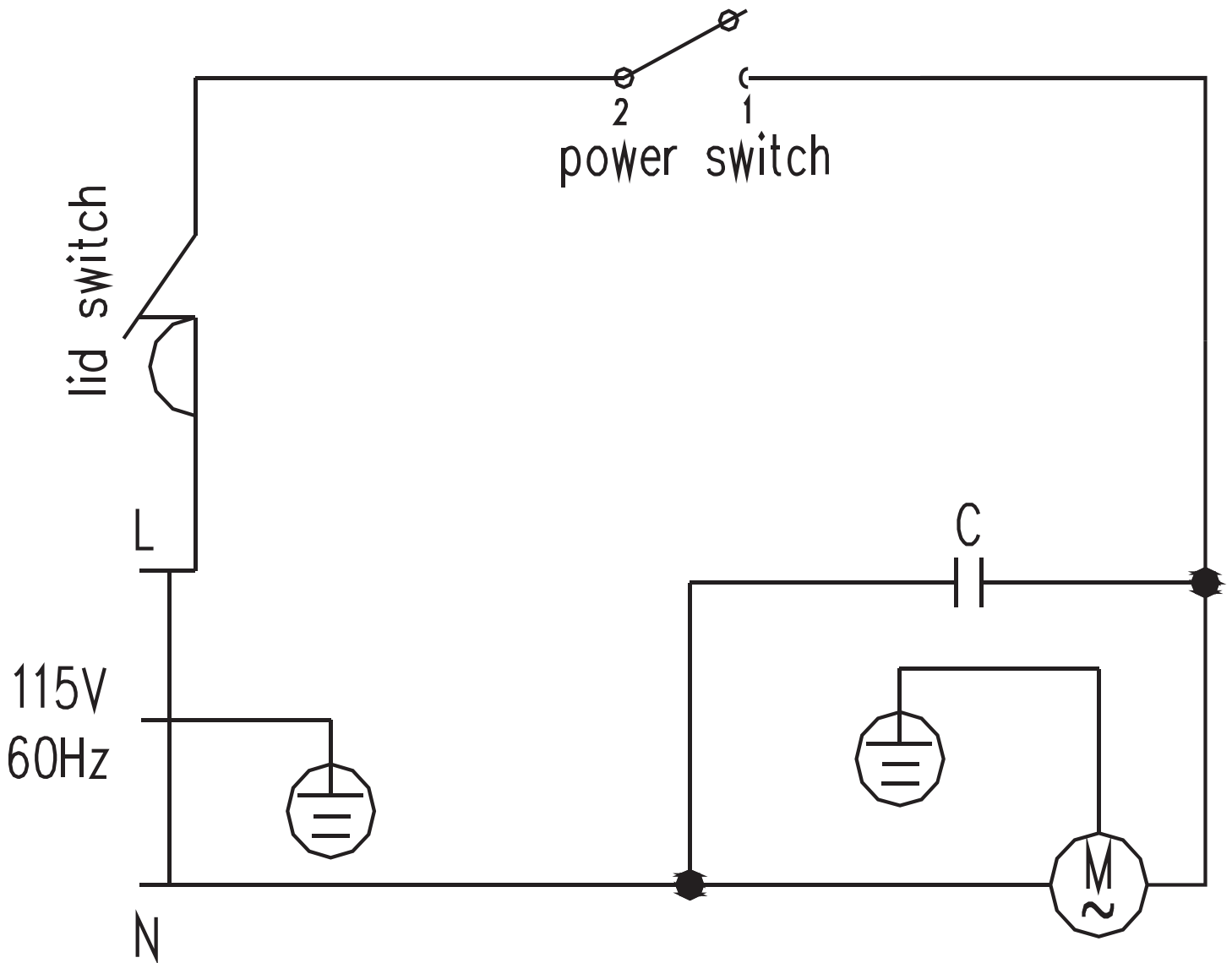
Parts Breakdown

Model IC-CN-0050 43466

Item No.	Description	Position	Item No.	Description	Position	Item No.	Description	Position
61503	Metal Plate for IS45	1	61518	Axle for IS45	16	61533	Motor Protected Board for IS45	31
61504	Lid for IS45	2	61519	Small Belt Pulley for IS45	17	61534	Blade Adjustment Knob for IS45	32
61505	Cotter Pin for IS45	3	61520	Bearing for IS45	18	61535	Blade Bottom Holder for IS45	33
61506	Top Cover for IS45	4	61521	Belt for IS45	19	61536	Blade Top Holder for IS45	34
61507	Big Water Proofing Ring for IS45	5	61522	Big Belt Pulley for IS45	20	61537	Support for IS45	35
61508	Small Water Proofing Ring for IS45	6	61523	Handle for IS45	21	61538	Spring for IS45	36
61509	Impeller for IS45	7	61524	Back Shell for IS45	22	61539	Blade for IS45	37
61510	Bearing for IS45	8	61525	Lock for IS45	23	61540	Support for IS45	38
61511	Main Unit for IS45	9	61526	Capacitor for IS45	24	61541	Inner Drain Pipe for IS45	39
61512	Pole for IS45	10	61527	Foot for IS45	25	61542	Front Shell for IS45	40
61513	Bushing for IS45	11	61528	Base Plate for IS45	26	61543	Ice Duct for IS45	41
61514	Microswitch Holder for IS45	12	61529	Drain Pipe for IS45	27	61544	Power Switch for IS45	42
61515	Microswitch for IS45	13	61530	Melt Water Drain Outlet for IS45	28	61545	Power Supply Code for IS45	43
61516	Motor Base for IS45	14	61531	Base Unit for IS45	29	61546	Wiring Harness for IS45	44
61517	Motor for IS45	15	61532	Shutter for IS45	30			

Electrical Schematics

Model IC-CN-0050 43466





Warranty Registration

Thank you for purchasing an Omcan product. To register your warranty for this product, complete the information below, tear off the card at the perforation and then send to the address specified below. You can also register online by visiting:

Merci d'avoir acheté un produit Omcan. Pour enregistrer votre garantie pour ce produit, complétez les informations ci-dessous, détachez la carte au niveau de la perforation, puis l'envoyer à l'adresse spécifiée ci-dessous. Vous pouvez également vous inscrire en ligne en visitant:

Gracias por comprar un producto Omcan usted. Para registrar su garantía para este producto, complete la información a continuación, cortar la tarjeta en la perforación y luego enviarlo a la dirección indicada a continuación. También puede registrarse en línea en:

www.omcan.com/warrantyregistration.html

For mailing in Canada

Pour postale au Canada

Por correo en Canadá

OMCAN

PRODUCT WARRANTY REGISTRATION

3115 Pepper Mill Court,

Mississauga, Ontario

Canada, L5L 4X5

For mailing in the US

Pour diffusion aux États-Unis

Por correo en los EE.UU.

OMCAN

PRODUCT WARRANTY REGISTRATION

4450 Witmer Industrial Estates, Unit 4,

Niagara Falls, New York

USA, 14305

or email to: service@omcan.com



Purchaser's Information

Name: _____

Company Name: _____

Address: _____

Telephone: _____

City: _____ Province or State: _____ Postal or Zip: _____

Email Address: _____

Country: _____

Type of Company:

Restaurant Bakery Deli

Butcher Supermarket Caterer

Institution (*specify*): _____

Other (*specify*): _____

Dealer from which Purchased: _____

Dealer City: _____ Dealer Province or State: _____

Invoice: _____

Model Name: _____ Model Number: _____

Serial Number: _____

Machine Description: _____

Date of Purchase (MM/DD/YYYY): _____

Date of Installation (MM/DD/YYYY): _____

Would you like to extend the warranty? Yes No

Thank you for choosing Omcan | Merci d'avoir choisi Omcan | Gracias por elegir Omcan



Since 1951 Omcan has grown to become a leading distributor of equipment and supplies to the North American food service industry. Our success over these many years can be attributed to our commitment to strengthen and develop new and existing relationships with our valued customers and manufacturers. Today with partners in North America, Europe, Asia and South America, we continually work to improve and grow the company. We strive to offer customers exceptional value through our qualified local sales and service representatives who provide convenient access to over 3,500 globally sourced products.

Depuis 1951 Omcan a grandi pour devenir un des “leaders” de la distribution des équipements et matériel pour l’industrie des services alimentaires en Amérique du Nord. Notre succès au cours de ces nombreuses années peut être attribué à notre engagement à renforcer et à développer de nouvelles et existantes relations avec nos clients et les fabricants de valeur. Aujourd’hui avec des partenaires en Amérique du Nord, Europe, Asie et Amérique du Sud, nous travaillons continuellement à améliorer et développer l’entreprise. Nous nous efforçons d’offrir à nos clients une valeur exceptionnelle grâce à nos ventes locales qualifiées et des représentants de service qui offrent un accès facile à plus de 3500 produits provenant du monde entier.

Desde 1951 Omcan ha crecido hasta convertirse en un líder en la distribución de equipos y suministros de alimentos en América del Norte industria de servicios. Nuestro éxito en estos años se puede atribuir a nuestro compromiso de fortalecer y desarrollar nuevas relaciones existentes con nuestros valiosos clientes y fabricantes. Hoy con socios de América del Norte, Europa, Asia y América del Sur, que trabajan continuamente para mejorar y crecer la empresa. Nos esforzamos por ofrecer a nuestros clientes valor excepcional a través de nuestro local de ventas y representantes de los servicios que proporcionan un fácil acceso a más de 3,500 productos con origen a nivel mundial.

