

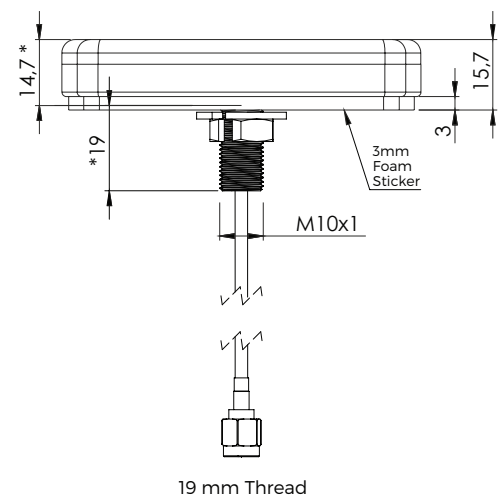
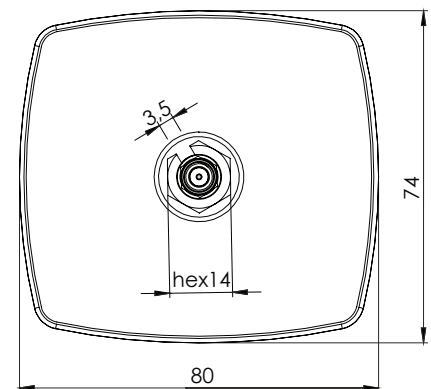
RF Antenna



- ✔ 863-870 MHZ
- ✔ SCREW MOUNT
- ✔ GROUND PLANE DEPENDENT
- ✔ HIGH PERFORMANCE
- ✔ LOW PROFILE
- ✔ IP67

ANTENNA AND ELECTRICAL SPECIFICATIONS

Parameters: 868 MHz ISM Antenna
 Standards: ISM, LoRa
 Band (MHz): 868 MHz
 Frequency (MHz): 863-870
 Return Loss (dB): ~-25.9
 VSWR: ~1.1:1
 Efficiency (%): ~57.6
 Peak Gain (dBi): ~2.5
 Average Gain (dB): ~-2.4
 Impedance (Ohm): 50
 Polarisation: Linear
 Radiation Pattern: Omni-Directional
 Max. Input Power (W): 25
 Connector Type: SMA-Male Standard
 Cable Length: 300 cm Standard
 Cable Type: RG174



MECHANICAL AND ENVIRONMENTAL SPECIFICATIONS

Mounting Type: Screw Mount
 Dimensions (mm): 80 x 74 x 14.7
 Max. Tighten Torque (Nm): 5 Nm
 Radome: ABS
 Radome color: Black
 Operating Temperature (C): -40 to +85
 Storage Temperature (C): -40 to +85
 Substance Compliance: RoHS
 Certificates: IP67