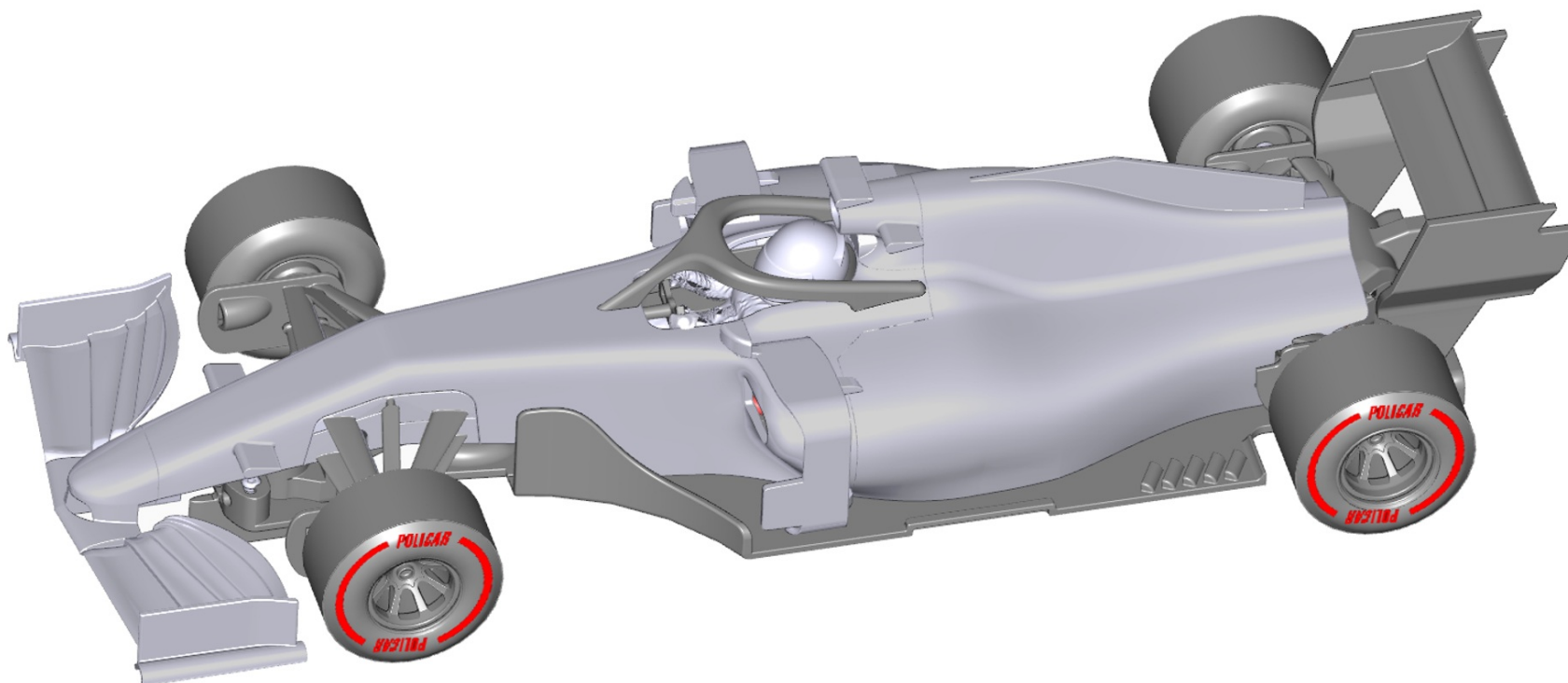


# F1 Monoposto

Silver Body

CAR07-silver

↔ 167 mm    ↕ 32.5 mm    ●↔ 108 mm    ↔ 60 mm    📦 58 g



	Motor Mount Type B	Motor Mount Type C	Pinion/Gear	Setup	ND Magnet	Front Rims/Tyres	Rear Rims/Tyres	Digital	Scale
						surface tread <input type="checkbox"/>	surface tread <input type="checkbox"/>	 	1:32
Motor mount	X	●	Z <sub>3</sub> :9 Z <sub>2</sub> :25/16 Z <sub>1</sub> :17	●	X	11.5x20 PPT1354C1	14.25x20 PPT1224C1	○	

- Standard
- Compatible
- X Not compatible

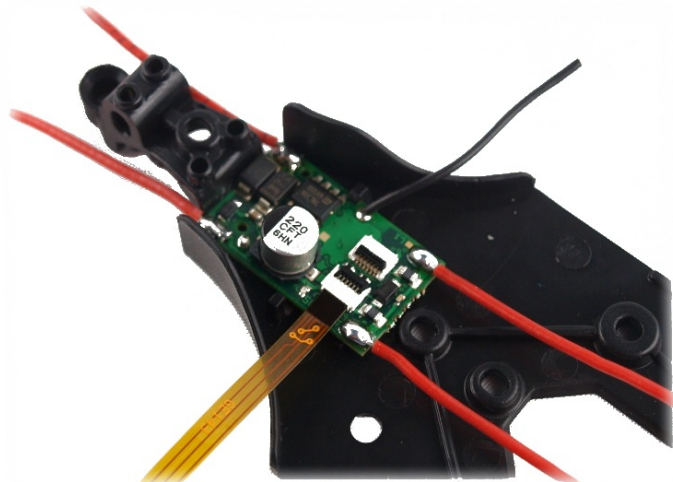


miniature electric motor racing



Pre assembled and pre painted Monoposto.  
Endless painting possibilities.

Optional magnetic front wing clip - protects wing from breaking and realistic racing damage simulation!  
(CN10 magnets must be bought separately)



Two chassis for the price of one.  
Get ready for digital action with the digital-ready chassis or do some modelling with the realistic appearance of a proper t-tray splitter chassis  
(because everyone knows what a t-tray is, right?)

