

WOK 1 GAS FIRE 10KW ON OPEN COMPARTMENT

Project
Rev.:
Zone:
Location:



CODICE
CR1012779

MODELLO
Q70PCV/WG610

SERIE
QUEEN 7

GENERAL CHARACTERISTICS

For those who do not want to give up the quality and solidity of a Queen stove, the Series 7 offers a 700 mm depth and more compact dimensions to fit any room, burners available in various configurations and wattages, enhanced by the refined Scotch Brite finish.

Thanks to its extreme compositional freedom, every composition is possible: you can combine Model i tops with accessorizable oven and neutral bases and hygienic finishes; create customized solutions by matching and attaching equipment back to back, sideways "flush" perfectly sealed, or "bridge" structures, offering high-level solutions that always perfectly meet the chef's needs.

As a total guarantee, all equipment that make up a Queen7 kitchen are certified in compliance with international standards, including CE, GAR, AGA and others.



MODEL SPECIFICATIONS

- Table top with standardised tank and liquid drainage in the rear right-hand corner.
- Tray for collecting overflow liquids.
- Thanks to the jet-proofing certification obtained through specific tests, knobs and under-knobs can be washed at the end of the working day

without compromising functionality and safety.

- The front bar is a comfortable foothold for the cook; it keeps a safe distance from the worktop and thus protects against accidental collisions with what is resting on the worktops and at the same time the handles.

TECHNICAL SPECIFICATIONS

- Stainless steel outer coverings and feet.
- Available with 10 kw or 14 kw burners.
- Fireplace for heat venting.
- Tops with 20/10 thickness with 550x520 mm or 950x520 mm potting.

- Right rear exhaust 22 mm in diameter, prepared for ground connection.
- Available in compartment or with doors: for the 60-m module, 2 m 30 doors; for the 100-m module, 2 m 50 doors.
- In the compartment area, full-width tray for collecting overflow liquids.

WOK 1 GAS FIRE 10KW ON OPEN COMPARTMENT

Project
Rev.:
Zone:
Location:



CODICE
CR1012779

MODELLO
Q70PCV/WG610

SERIE
QUEEN 7

Technical Information

SPECIFICATION	DATA
MATERIAL	CR1012779
DEFINITION	Q70PCV/WG610 WOK GAS M60 10KW A/G
COMMERCIAL LINE	QUEEN
SUPPLY	GAS
DIM. WIDTH	600 mm
DIM. DEPTH	700 mm
DIM. HEIGHT	870 mm
NET WEIGHT	57.8 Kg
VOLUME (net)	0.365
PACKAGE LENGTH	660 mm
PACKAGE WIDTH	850 mm
PACKAGING HEIGHT	1150 mm
PACKAGE VOLUME	0,645 m3
GROSS PACKING WEIGHT	70 Kg
GAS POWER	10,00
GAS POWER (G25.3/25mbar)	9,70
CERTIFIED MODEL	Q70PCV/WG6

WOK 1 GAS FIRE 10KW ON OPEN COMPARTMENT

Project
 Rev.:
 Zone:
 Location:

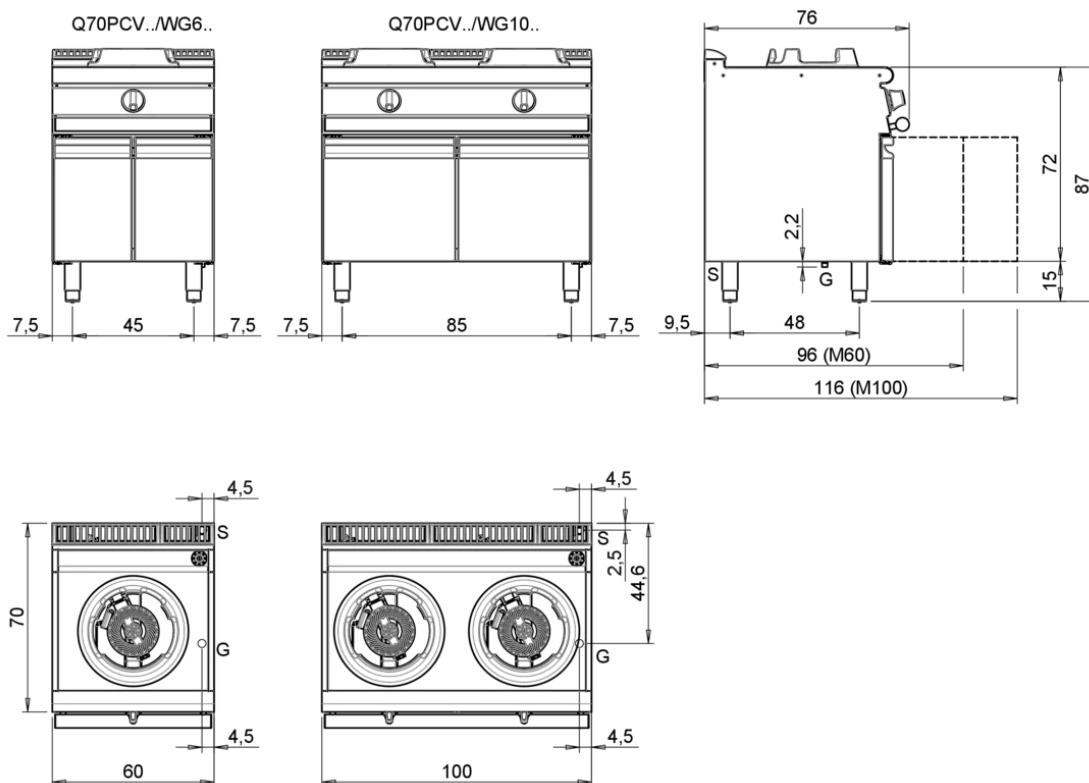


CODICE
CR1012779

MODELLO
Q70PCV/WG610

SERIE
QUEEN 7

MISURE IN cm - DIMENSIONS IN cm - ABMESSUNGEN IN cm- MESURES EN cm
 MEDIDAS EN cm - MATEN IN cm - DIMENSIONES EN cm



Legenda - Legende - Key - Légende - Leyenda - Legenda - Legenda

E	Pressacavo entrata linea elettrica - Stopfbuchse - Electric cable stress relief - Presse étoupe de câble él - Pisacable - Elektrische kabelwartel - Entrada cabo eléctrico	G	Arrivo gas - Gasanschluss - Gas connection - Arrivée gaz - Union de gas - Gasaansluiting - Ligação gás EN 10226-1 R 1/2; EN ISO 228-1 G 1/2 (DK)
S	Attacco scarico acqua - Wasserablauf - Water outlet - Vidange de l'eau - Desaguadero - Wateraftapaansluiting - Junção descarga água EN 10226-1 R1	H20	Arrivo acqua - Wasseranschluss - Water inlet - Arrivée eau - Union de água - Wateraansluiting - Junção alimentação água
S1	Scarico vasca - Wannenabflusrohr - Pan outlet - Vidange du bac - Descarga cuba - Water toevoer - Descarga da cuba	A1 =	Calda - Heiss - Warm - Chaude - Caliente - Warm - Morno
S2	Valvola di depressione - Anti-depression valve - Unterdruck ventil - Soupape de dépression - Válvula de dépresión - Onderdrukklep - Válvula de depressão	A2 =	Fredda - Kalt - Cold - Froid - Fria - Koude - Frio
S3	Scarico acqua intercapedine - Wasserablauf Zwischenraum - Jacket water drain Evacuation eau double envelope - Descarga de água interstícios - Afvoer water tussenruimte - Descarga de água na marmitta com Sistema de aquecimento indirecto	L	Rubinetto di livello - Level tap - Wasserhahn - Robinet de niveau - Grifo de nivel - Niveaakraan - Torneira de nivel
S4	Scarico - Abflusrohr - Drain - Tuyau d'évacuation - Tubo de drenaje - Aftapbuis - Tubulação de dreno		

WOK 1 GAS FIRE 10KW ON OPEN COMPARTMENT

Project
Rev.:
Zone:
Location:



CODICE
CR1012779

MODELLO
Q70PCV/WG610

SERIE
QUEEN 7

PRODUCT'S RANGE PLUS



10 kW or 14 kW enameled cast-iron burners removable for easy cleaning.



Table top with standardised tank and liquid drainage in the rear right-hand corner.



Tray for collecting overflow liquids.