

FLOOR FURNACE H800

Project
Rev.:
Zone:
Location:



CODICE
CR0998689

MODELLO
FOGV508

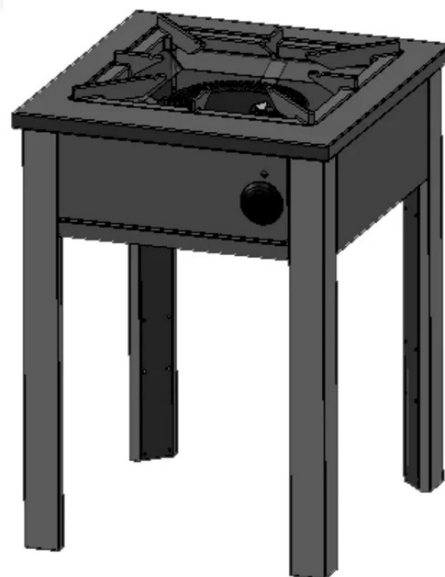
SERIE
SERIE 600

GENERAL CHARACTERISTICS

A line of small-sized cooking equipment designed for those who, even in small spaces, do not want to give up great performance. Made of AISI 304 18/10 stainless steel, finely finished with Scotch Brite satin finish, it has rounded edges and large capacity enclosures; it has 600/650 mm depth and modular width of 400/600/700/800/1000 mm; the series is completed by open, armored or refrigerated base supports.

The equipment is easily modular to one another until it forms a compact, gap-free whole thanks to a leak-covering profile that provides protection against leakage and thus maximum hygiene. High chimneys, ergonomic knobs mounted on a sloping dashboard for easy visibility, give the range ease of use from the first approach.

All models are CE approved.



MODEL SPECIFICATIONS

TECHNICAL SPECIFICATIONS

FLOOR FURNACE H800

Project
Rev.:
Zone:
Location:



CODICE
CR0998689

MODELLO
FOGV508

SERIE
SERIE 600

Technical Information

SPECIFICATION	DATA
MATERIAL	CR0998689
DEFINITION	FOGV 508 12,5Kw FORNELL. 1F H=800 BARON
COMMERCIAL LINE	FORNELLONI
SUPPLY	GAS
DIM. WIDTH	590 mm
DIM. DEPTH	630 mm
DIM. HEIGHT	590 mm
NET WEIGHT	0 Kg
VOLUME (net)	0.219
PACKAGE LENGTH	710 mm
PACKAGE WIDTH	690 mm
PACKAGING HEIGHT	560 mm
PACKAGE VOLUME	0,274 m3
GROSS PACKING WEIGHT	0 Kg
GAS POWER	12,50
GAS POWER (G25.3/25mbar)	11,50
CERTIFIED MODEL	FOGV 50

FLOOR FURNACE H800

Project
 Rev.:
 Zone:
 Location:

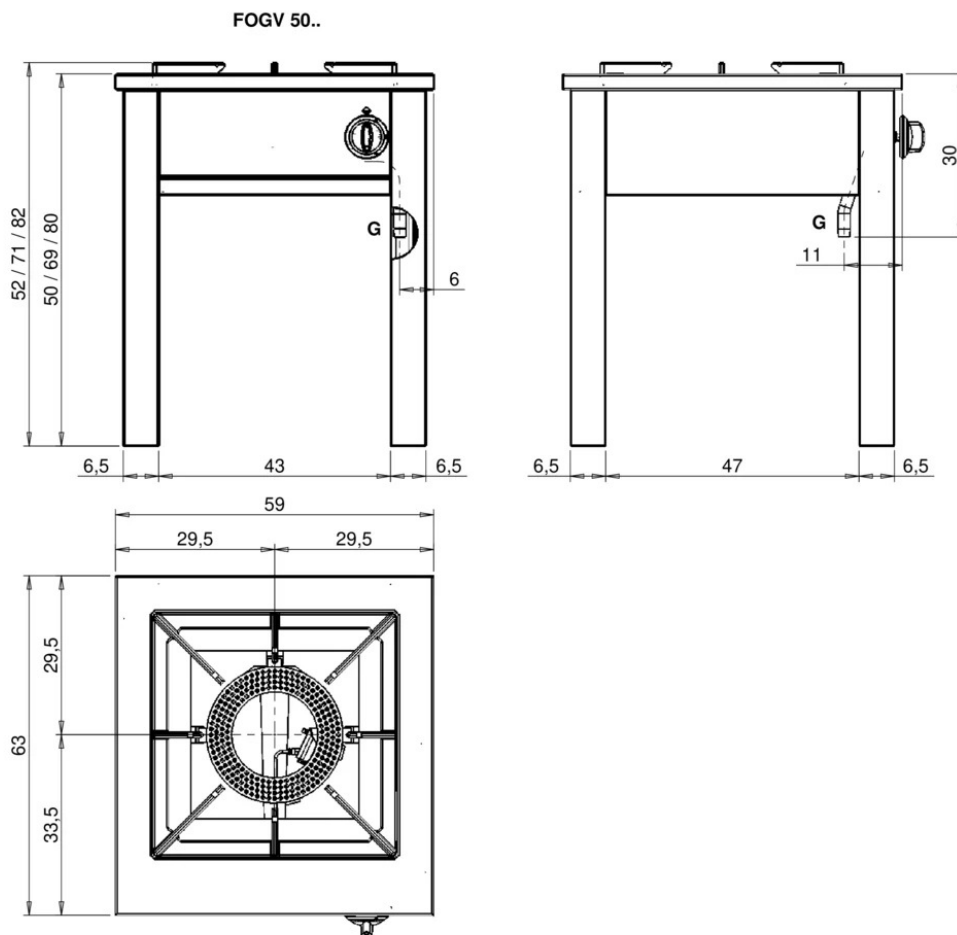


CODICE
CR0998689

MODELLO
FOGV508

SERIE
SERIE 600

MISURE IN cm - DIMENSIONS IN cm - ABMESSUNGEN IN cm - MESURES EN cm
 MEDIDAS EN cm - MATEN IN cm - DIMENSIONES EN cm



Legenda - Legende - Key - Légende - Leyenda - Legenda - Legenda

E	Pressacavo entrata linea elettrica - Stopfbuchse - Electric cable stress relief - Presse étoupe de câble él - Pisacable - Elektrische kabelwartel - Entrada cabo eléctrico	G	Arrivo gas - Gasanschluss - Gas connection - Arrivée gaz - Union de gas - Gasaansluiting - Ligação gás EN 10226-1 R 1/2; EN ISO 228-1 G 1/2 (DK)
S	Attacco scarico acqua - Wasserablauf - Water outlet - Vidange de l'eau - Desaguadero - Wateraftapaansluiting - Junção descarga água	H20	Arrivo acqua - Wasseranschluss - Water inlet - Arrivée eau - Union de agua - Wateraansluiting - Junção alimentação água
S1	Scarico vasca - Wannenabflussrohr - Pan outlet - Vidange du bac - Descarga cuba - Water toevoer - Descarga da cuba	A1 =	Calda - Heiss - Warm - Chaude - Caliente - Warm - Morno
S2	Valvola di depressione - Anti-depression valve - Unterdruck ventil - Soupape de dépression - Válvula de depresión - Onderdrukklep - Válvula de depressão	A2 =	Fredda - Kalt - Cold - Froid - Fria - Koude - Frio
S3	Scarico acqua intercapedine - Wasserablauf Zwischenraum - Jacket water drain Evacuation eau double envelope - Descarga de agua intersticios - Afvoer water tussenruimte - Descarga de água na marmita com Sistema de aquecimento indirecto	L	Rubinetto di livello - Level tap - Wasserhahn - Robinet de niveau - Grifo de nivel - Niveaakraan - Torneira de nível
S4	Scarico - Abflussrohr - Drain - Tuyau d'évacuation - Tubo de drenaje - Aftapbuis - Tubulação de dreno		

FLOOR FURNACE H800

Project
Rev.:
Zone:
Location:



CODICE
CR0998689

MODELLO
FOGV508

SERIE
SERIE 600

ACCESSORIES

CODE	MODELLO	DESCRIZIONE
2520821	31SG	L45 COOKER SUPPORTS
2520822	32SG	L90 COOKER SUPPORTS