

FLOOR COOKER H700

Project
Rev.:
Zone:
Location:



CODICE
CR0998679

MODELLO
FOGV507

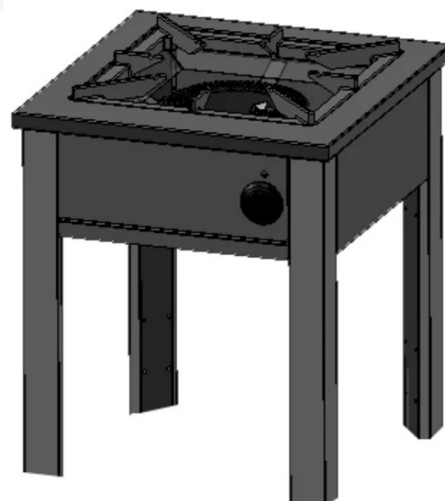
SERIE
SERIE 600

GENERAL CHARACTERISTICS

A line of small-sized cooking equipment designed for those who, even in small spaces, do not want to give up great performance. Made of AISI 304 18/10 stainless steel, finely finished with Scotch Brite satin finish, it has rounded edges and large capacity enclosures; it has 600/650 mm depth and modular width of 400/600/700/800/1000 mm; the series is completed by open, armored or refrigerated base supports.

The equipment is easily modular to one another until it forms a compact, gap-free whole thanks to a leak-covering profile that provides protection against leakage and thus maximum hygiene. High chimneys, ergonomic knobs mounted on a sloping dashboard for easy visibility, give the range ease of use from the first approach.

All models are CE approved.



MODEL SPECIFICATIONS

TECHNICAL SPECIFICATIONS

FLOOR COOKER H700

Project
Rev.:
Zone:
Location:



CODICE
CR0998679

MODELLO
FOGV507

SERIE
SERIE 600

Technical Information

| SPECIFICATION | DATA |
|--------------------------|---|
| MATERIAL | CR0998679 |
| DEFINITION | FOGV 507 12,5Kw FORNELL. 1F H=700 BARON |
| COMMERCIAL LINE | FORNELLONI |
| SUPPLY | GAS |
| DIM. WIDTH | 590 mm |
| DIM. DEPTH | 630 mm |
| DIM. HEIGHT | 700 mm |
| NET WEIGHT | 0 Kg |
| VOLUME (net) | 0.26 |
| PACKAGE LENGTH | 710 mm |
| PACKAGE WIDTH | 690 mm |
| PACKAGING HEIGHT | 560 mm |
| PACKAGE VOLUME | 0,274 m3 |
| GROSS PACKING WEIGHT | 0 Kg |
| GAS POWER | 12,50 |
| GAS POWER (G25.3/25mbar) | 11,50 |
| CERTIFIED MODEL | FOGV 50 |

FLOOR COOKER H700

Project
 Rev.:
 Zone:
 Location:

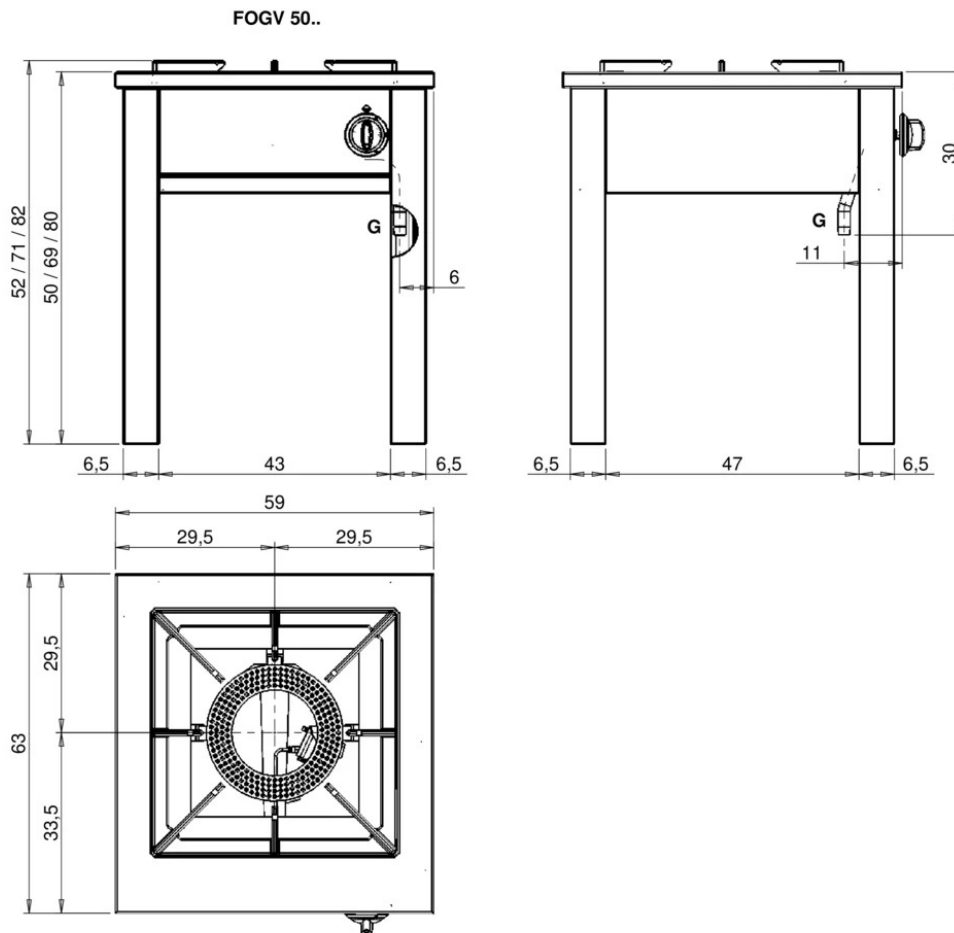


CODICE
 CR0998679

MODELLO
 FOGV507

SERIE
 SERIE 600

MISURE IN cm - DIMENSIONS IN cm - ABMESSUNGEN IN cm - MESURES EN cm
 MEDIDAS EN cm - MATEN IN cm - DIMENSIONES EN cm



Legenda - Legende - Key - Légende - Leyenda - Legenda - Legenda

| | | | |
|-----------|--|-------------|--|
| E | Pressacavo entrata linea elettrica - Stopfbuchse - Electric cable stress relief - Presse étoupe de câble él - Pisacable - Elektrische kabelwartel - Entrada cabo eléctrico | G | Arrivo gas - Gasanschluss - Gas connection - Arrivée gaz - Union de gas - Gasaansluiting - Ligação gás EN 10226-1 R 1/2; EN ISO 228-1 G 1/2 (DK) |
| S | Attacco scarico acqua - Wasserablauf - Water outlet - Vidange de l'eau - Desaguadero - Wateraftapaansluiting - Junção descarga água | H20 | Arrivo acqua - Wasseranschluss - Water inlet - Arrivée eau - Union de agua - Wateraansluiting - Junção alimentação água |
| S1 | Scarico vasca - Wannenabflussrohr - Pan outlet - Vidange du bac - Descarga cuba - Water toevoer - Descarga da cuba | A1 = | Calda - Heiss - Warm - Chaude - Caliente - Warm - Morno |
| S2 | Valvola di depressione - Anti-depression valve - Unterdruck ventil - Soupape de dépression - Válvula de depresión - Onderdrukklep - Válvula de depressão | A2 = | Fredda - Kalt - Cold - Froid - Fria - Koude - Frio |
| S3 | Scarico acqua intercapedine - Wasserablauf Zwischenraum - Jacket water drain Evacuation eau double envelope - Descarga de agua intersticios - Afvoer water tussenruimte - Descarga de água na marmita com Sistema de aquecimento indirecto | L | Rubinetto di livello - Level tap - Wasserhahn - Robinet de niveau - Grifo de nivel - Niveaakraan - Torneira de nível |
| S4 | Scarico - Abflussrohr - Drain - Tuyau d'évacuation - Tubo de drenaje - Aftapbuis - Tubulação de dreno | | |

FLOOR COOKER H700

Project
Rev.:
Zone:
Location:



CODICE
CR0998679

MODELLO
FOGV507

SERIE
SERIE 600

ACCESSORIES

| CODE | MODELLO | DESCRIZIONE |
|---------|-------------|---------------------|
| 2520821 | 31SG | L45 COOKER SUPPORTS |
| 2520822 | 32SG | L90 COOKER SUPPORTS |