

POTATO HEATERS

Project
Rev.:
Zone:
Location:



CODICE
CR0856219

MODELLO
6NSP/E400

SERIE
SERIE 600

GENERAL CHARACTERISTICS

A line of small-sized cooking equipment designed for those who, even in small spaces, do not want to give up great performance. Made of AISI 304 18/10 stainless steel, finely finished with Scotch Brite satin finish, it has rounded edges and large capacity enclosures; it has 600/650 mm depth and modular width of 400/600/700/800/1000 mm; the series is completed by open, armored or refrigerated base supports.

The equipment is easily modular to one another until it forms a compact, gap-free whole thanks to a leak-covering profile that provides protection against leakage and thus maximum hygiene. High chimneys, ergonomic knobs mounted on a sloping dashboard for easy visibility, give the range ease of use from the first approach.

All models are CE approved.



MODEL SPECIFICATIONS

TECHNICAL SPECIFICATIONS

- The potato warmer is capable of holding a GN 1/1 H. 150 mm pan, which is kept at the right temperature by a combination of a lower heating element and an infrared ceramic heater, with independent switches.
- Adjustable temperature from 30-90°C.
- The perforated false bottom facilitates the removal of the contents as well as the dripping of any superfluous oil.

POTATO HEATERS

Project
Rev.:
Zone:
Location:



CODICE
CR0856219

MODELLO
6NSP/E400

SERIE
SERIE 600

Technical Information

SPECIFICATION	DATA
MATERIAL	CR0856219
DEFINITION	SCALDAPATATE EL.60 M40 6NSP/E400
COMMERCIAL LINE	SERIE 600
SUPPLY	ELECTRICS
DIM. WIDTH	400 mm
DIM. DEPTH	600 mm
DIM. HEIGHT	295 mm
NET WEIGHT	17 Kg
VOLUME (net)	0.071
PACKAGE LENGTH	680 mm
PACKAGE WIDTH	410 mm
PACKAGING HEIGHT	830 mm
PACKAGE VOLUME	0,231 m3
GROSS PACKING WEIGHT	25 Kg
STANDARD POWER SUPPLY	220-240V 1N
FREQUENCY	50-60 Hz
ELECTRICAL POWER	2,000 kW
IP GRADE	IPX3
CERTIFIED MODEL	6NSP/E400

POTATO HEATERS

Project
Rev.:
Zone:
Location:



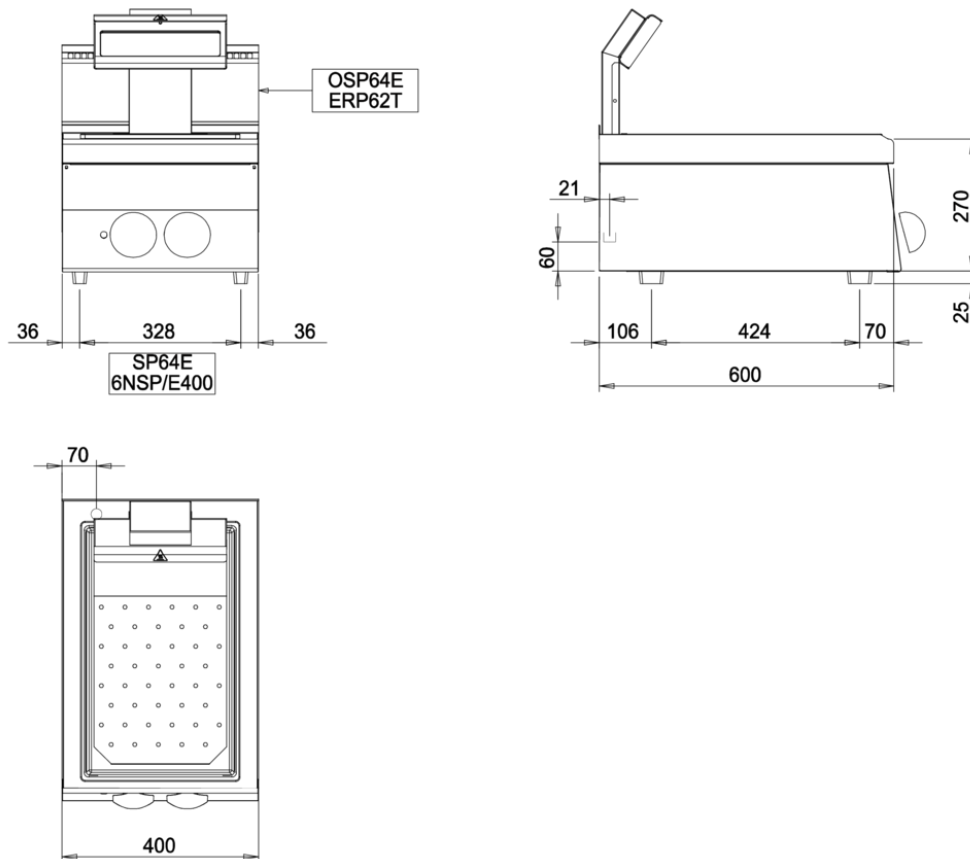
CODICE
CR0856219

MODELLO
6NSP/E400

SERIE
SERIE 600

SCHEMA DI INSTALLAZIONE - INSTALLATION DIAGRAM - INSTALLATIONSPLAN - SCHÉMA D'INSTALLATION -
ESQUEMA DE INSTALACION - INSTALLATIESCHEMA - IINSTALLATIONSRTNINGAR

MISURE IN mm - DIMENSIONS IN mm - ABMESSUNGEN IN mm
MESURES EN mm - MEDIDAS EN mm - MATEN IN mm



POTATO HEATERS

Project
Rev.:
Zone:
Location:



CODICE
CR0856219

MODELLO
6NSP/E400

SERIE
SERIE 600

PRODUCT'S RANGE PLUS



The electric container is heated by a lower and an upper infrared heating element. The tank is suitable for holding GN bowls, with a perforated false bottom.

Equipment is certified and compliant with the Low Voltage Directive 2014/35/EU according to the international CB scheme

