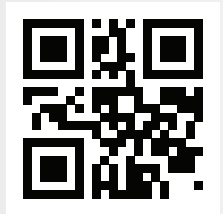


**B<sup>2</sup> audio**

MODEL: XM15V2 / XM18V2 / XM21



**XM15/XM18/XM21**

**OWNER'S MANUAL**

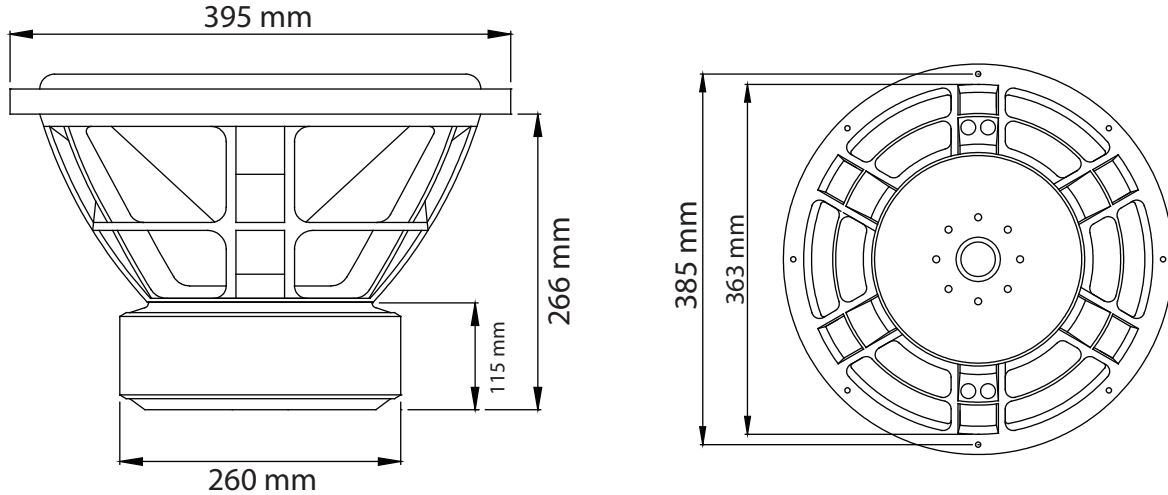
**SWEET LIKE DANISH**  
**SQL AUDIOPHILE COMPONENTS**

**CE**



# SWEET LIKE DANISH

MODEL: XM15V2



Model:	XM15D1	XM15D2
Sensitivity:	93.3 dB	91.2 dB
Nominal Impedance:	Dual 1 Ω	Dual 2 Ω
DC Resistance (DC):	1.6 Ω	3.7 Ω
Voice Coil Dim:	4"	4"
Power Handling*:	3000 Watts	3000 Watts
Peak Dynamic Power:	9000 Watts	9000 Watts
XMAX one way (mm):	30	30
VAS:	43.7 L	50.7 L
FS:	34.6 Hz	32.5 Hz
QES:	0.62	0.52
QMS:	5,3	5,16
QTS:	0.55	0.47
Motor Structure:	1075 Oz	1075 Oz
Displacement:	12.2 L / .432 cu.ft	12.2 L / .432 cu.ft

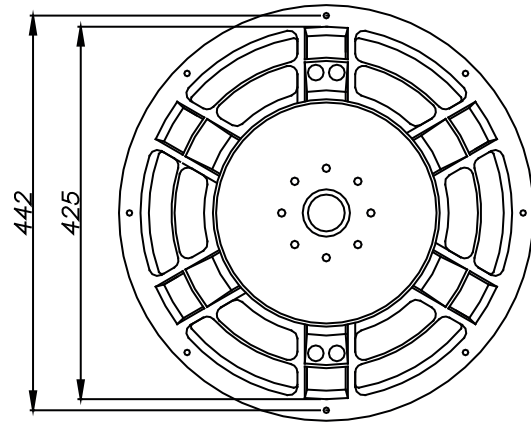
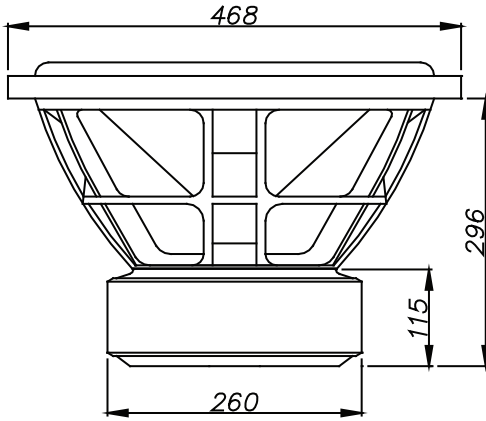
TYPE	ENCLOSURE SUGGESTIONS			
	SEALED	PORTED COMPACT	PORTED	BP 4TH
XM15-D1	60 L / 2.1 cu.ft	85 L / 3 cu.ft	155 L / 5.49 cu.ft	-
	Qtc 0.561	P.A. 37.2 sq.in L: 20.4" FB: 37 Hz	P.A. 49.6 sq.in L: 26.3" FB: 28 Hz	
XM15-D2	60 L / 2.1 cu.ft	70 L / 2.5 cu.ft	155 L / 5.49 cu.ft	-
	Qtc 0.506	P.A. 27.9 sq.in L: 21.8" FB: 35 Hz	P.A. 69.7 sq.in L: 26.9" FB: 32 Hz	

\*It's essential that our speakers are given time to allow the suspension to soften up. Depending on use, this may take several weeks. While this process is undergoing, it is not recommended to apply full amplification power according to the speaker's specs. Once the moving parts have been broken in, the performance of your speaker will increase. Abuse of the unit is **not** covered by warranty. The warranty does not cover (1) Speakers that have been used for spl purpose in competitions, (2) Damage caused by amplifier clipping or distortion, (3) Exposure to water, oil, solvent & excessive temperatures +/- (4) Cost of shipping to / from authorized service center.



# SWEET LIKE DANISH

MODEL: XM18V2



Model:	<b>XM18D1</b>	<b>XM18D2</b>
Sensitivity:	96.7 dB	92.49 dB
Nominal Impedance:	Dual 1 Ω	Dual 2 Ω
DC Resistance (DC):	1.4 Ω	3.7 Ω
Voice Coil Dim:	4"	4"
Power Handling*:	3000 Watts	3000 Watts
Peak Dynamic Power:	9000 Watts	9000 Watts
XMAX one way (mm):	30	30
VAS:	65.9 L	65.7 L
FS:	33.3 Hz	33.9 Hz
QES:	0.77	0.69
QMS:	5,15	5,1
QTS:	0.67	0.61
Motor Structure:	1075 Oz	1075 Oz
Displacement:	15.8 L / .56 cu.ft	15.8 L / .56 cu.ft

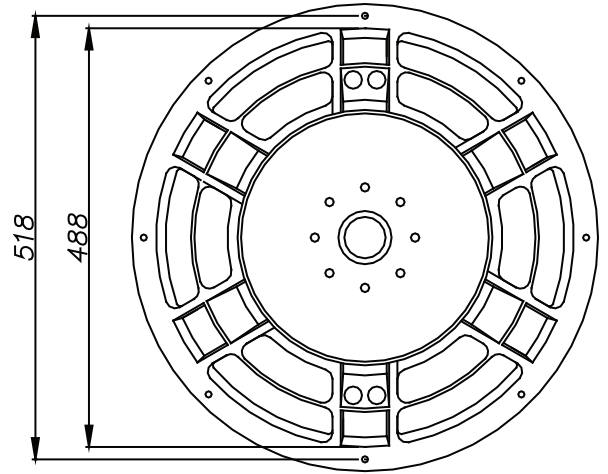
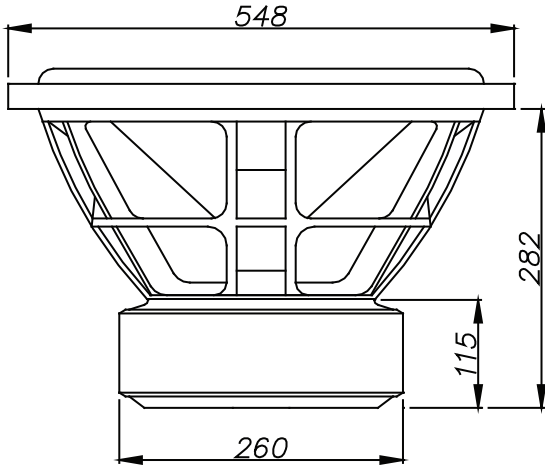
TYPE	ENCLOSURE SUGGESTIONS			
	SEALED	PORTED COMPACT	PORTED	BP 4TH
<b>XM18-D1</b>	70 L / 2.47 cu.ft	120 L / 4.2 cu.ft	227 L / 8 cu.ft	-
	Qtc 0.681	P.A. 56.9 sq.in L: 20.6" FB: 38 Hz	P.A. 71.3 sq.in L: 17.83" FB: 32 Hz	
<b>XM18-D2</b>	70 L / 2.47 cu.ft	120 L / 4.2 cu.ft	200 L / 5.49 cu.ft	-
	Qtc 0.633	P.A. 71.25 sq.in L: 26.1" FB: 38 Hz	P.A. 71.3 sq.in L: 21" FB: 32 Hz	

\*It's essential that our speakers are given time to allow the suspension to soften up. Depending on use, this may take several weeks. While this process is undergoing, it is not recommended to apply full amplification power according to the speaker's specs. Once the moving parts have been broken in, the performance of your speaker will increase. Abuse of the unit is **not** covered by warranty. The warranty does not cover (1) Speakers that have been used for spl purpose in competitions, (2) Damage caused by amplifier clipping or distortion, (3) Exposure to water, oil, solvent & excessive temperatures +/- (4) Cost of shipping to / from authorized service center.



# SWEET LIKE DANISH

MODEL: XM21



Model:	XM21D1	XM21D2
Sensitivity:	99.9 dB	TBA
Nominal Impedance:	Dual 1 Ω	Dual 2 Ω
DC Resistance (DC):	1.4 Ω	3.7 Ω
Voice Coil Dim:	4"	4"
Power Handling*:	3000 Watts	3000 Watts
Peak Dynamic Power:	9000 Watts	9000 Watts
XMAX one way (mm):	30	30
VAS:	114.3 L	TBA
FS:	28.8 Hz	TBA
QES:	0.44	TBA
QMS:	3,82	TBA
QTS:	0.39	TBA
Motor Structure:	1075 Oz	1075 Oz
Displacement:	18.4 L / .65 cu.ft	18.4 L / .65 cu.ft

TYPE	ENCLOSURE SUGGESTIONS			
	SEALED	PORTED COMPACT	PORTED	BP 4TH
XM21-D1	92 L / 3.85 cu.ft	100 L / 3.53 cu.ft	250 L / 8.8 cu.ft	-
	Qtc 0.464	P.A. 49.6 sq.in L: 21.9" FB: 38 Hz	P.A. 77.5 sq.in L: 20.69" FB: 30 Hz	
XM21-D2	TBA	TBA	TBA	-

\*It's essential that our speakers are given time to allow the suspension to soften up. Depending on use, this may take several weeks. While this process is undergoing, it is not recommended to apply full amplification power according to the speaker's specs. Once the moving parts have been broken in, the performance of your speaker will increase. Abuse of the unit is **not** covered by warranty. The warranty does not cover (1) Speakers that have been used for SPL purpose in competitions, (2) Damage caused by amplifier clipping or distortion, (3) Exposure to water, oil, solvent & excessive temperatures +/- (4) Cost of shipping to / from authorized service center.