

Unite CR

Cockpit Rack



Picture of Unite CR-12P version – front view



Picture of Unite CR-12P version – rear view

FEATURES

- 19" charger for rack mounting
- Button for pairing procedure
- Status display for pairing status
- Switch for "Pairing & Charge" or "Charge"
- Reset button
- Ethernet connection for:
 - Firmware update
 - Pairing process
 - Operation and monitoring
- USB port for:
 - Pairing process
 - Charging
- Integrated power supply with switchable and IEC mains connection with fuse

VERSION

Unite CR-12P Cockpit Rack charger with max. 12 charging compartments for bodypack receivers / transmitters, network connection, integrated power supply Order # 713.163

SUPPLIED ACCESSORIES

- Power cable with CEE 7/7 mains plug and C13 device plug
- Quick Start Guide

APPLICATIONS

The Cockpit Rack is a multifunctional device for charging the batteries integrated in the Unite transmitters and receivers and to store and transmit the pairing information (group ID and channel name) from transmitter to receiver. For optimum security against unauthorised listening, a key is generated in the Unite CR, which is transmitted to the transmitter and receiver during the pairing process.

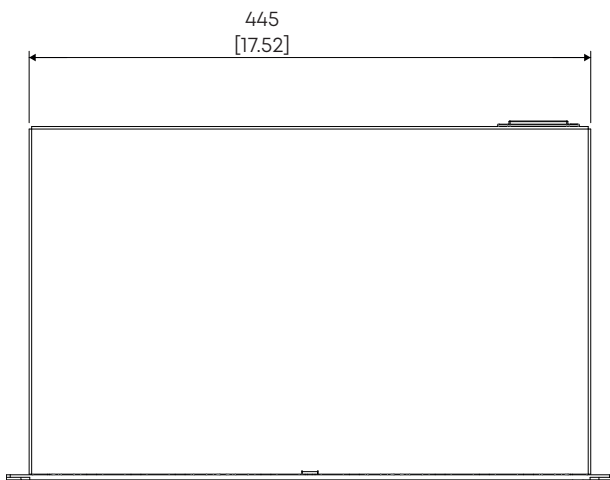
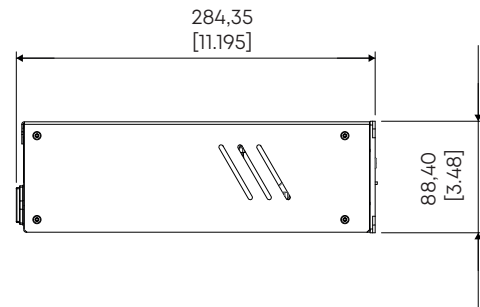
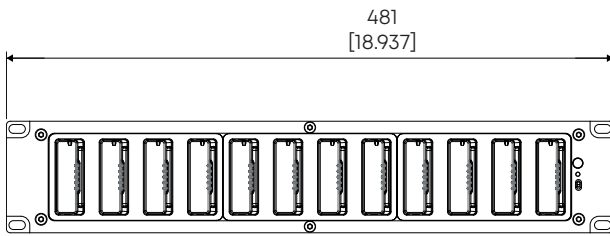
The Cockpit Rack can be integrated into a network via the Ethernet connection. When using the Unite Manager software, the Cockpit Rack can be remotely monitored. Firmware updates and configurations are also possible. The Cockpit Rack is suitable for installation in a 19" flight case for mobile applications or in a 19" charging cabinet. The Cockpit Rack can also be used for the storage of charged transmitters and receivers.

The Unite CR-12P version provides a maximum of 12 charging compartments. The charging status of the batteries is indicated by a status display on the respective transmitter or receiver.

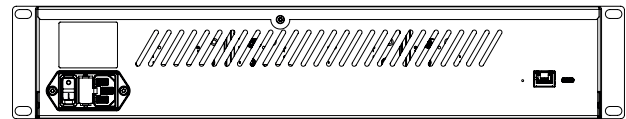
TECHNICAL SPECIFICATIONS

AC input.....	85 - 264 V, 47-63 Hz
Fuse.....	2 x 3,15 A (time-lag)
Nominal current.....	2 A @115 V AC, 1 A @230 V
Power consumption.....	75 W with 12 charging compartments
Max. charging time.....	4 hours
Connections.....	Ethernet USB Type C
Temperature range	
Operation.....	0 to +30 °C
Storage.....	-20 to +50 °C
Relative humidity.....	0 to 90%
Dimensions.....	481 x 284 x 88 mm
Weight.....	approx. 4 kg
Unite CR-12P charging compartments.....	max. 12 für bodypack transmitters or receivers

DIMENSIONS



Connections on the rear



All dimensions in mm and [inch].