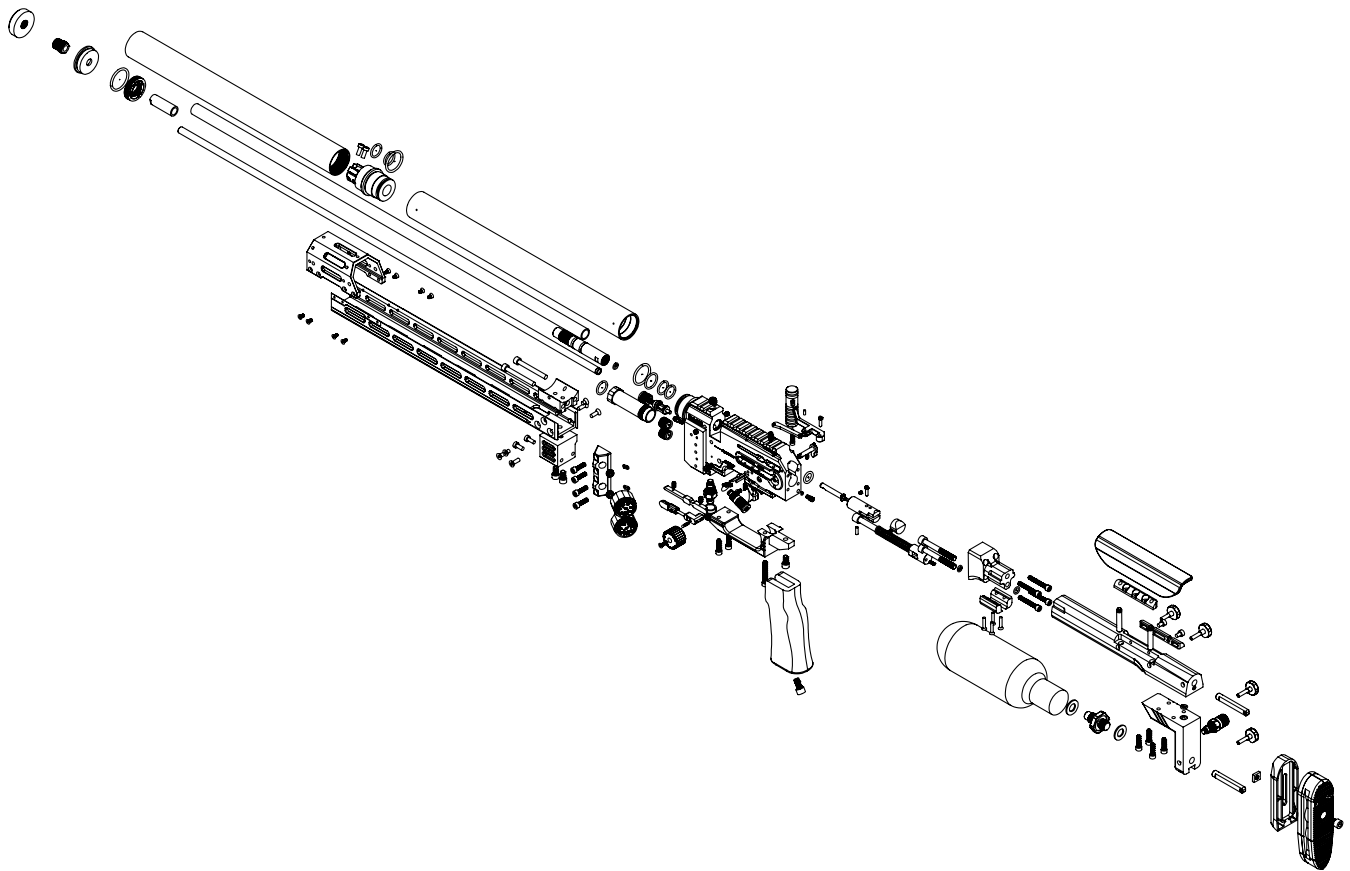
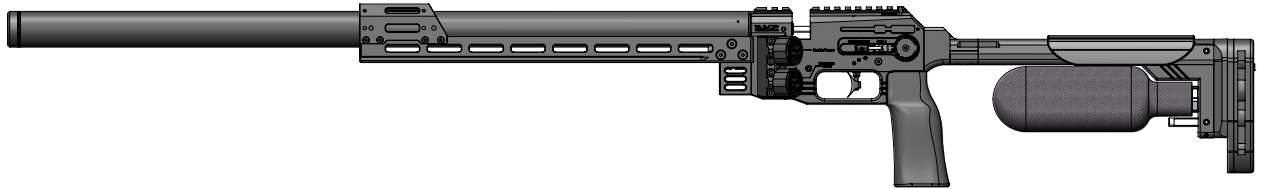
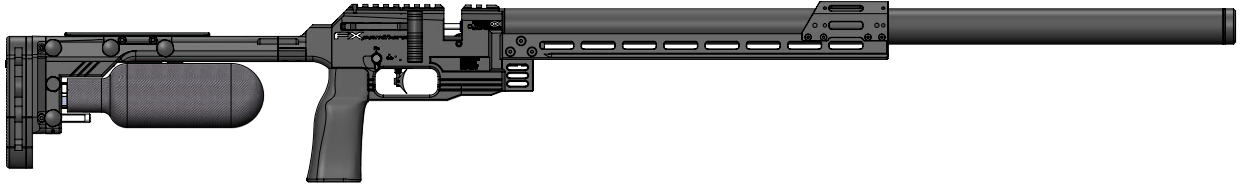


| Model       | Other model names | Date       | Revision | Revision date |
|-------------|-------------------|------------|----------|---------------|
| FX Panthera |                   | 2023-09-08 | EN.23.04 |               |

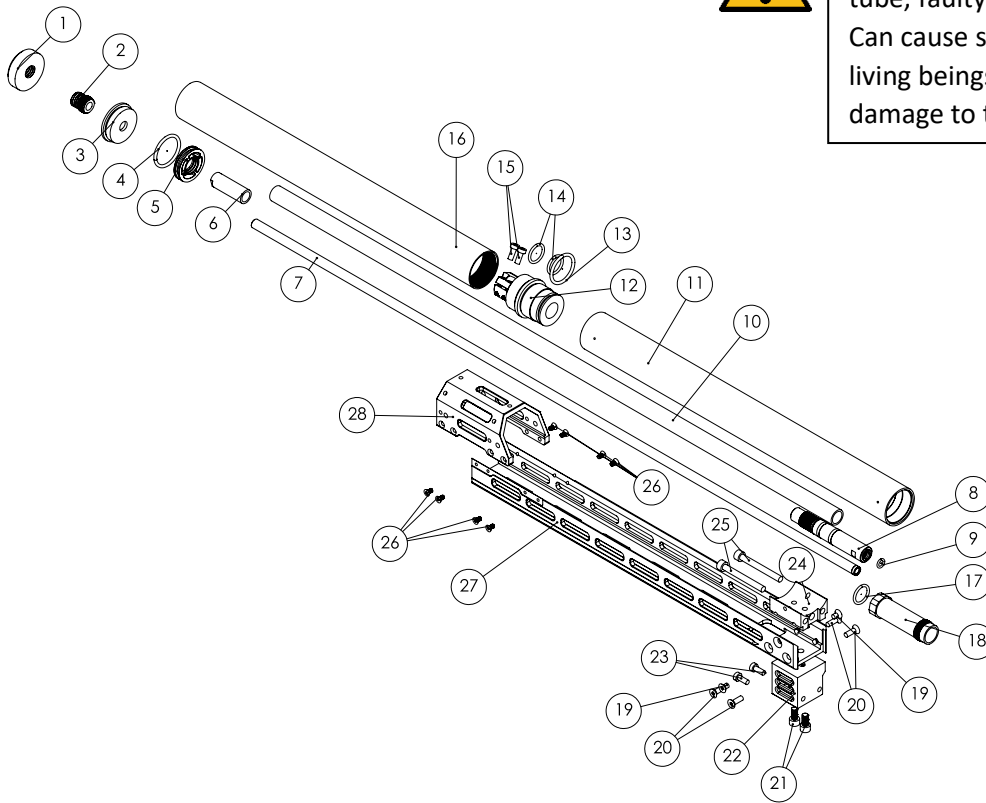


| Model       | Other model names | Date       | Revision | Revision date |
|-------------|-------------------|------------|----------|---------------|
| FX Panthera |                   | 2023-09-08 | EN.23.04 |               |

**A**



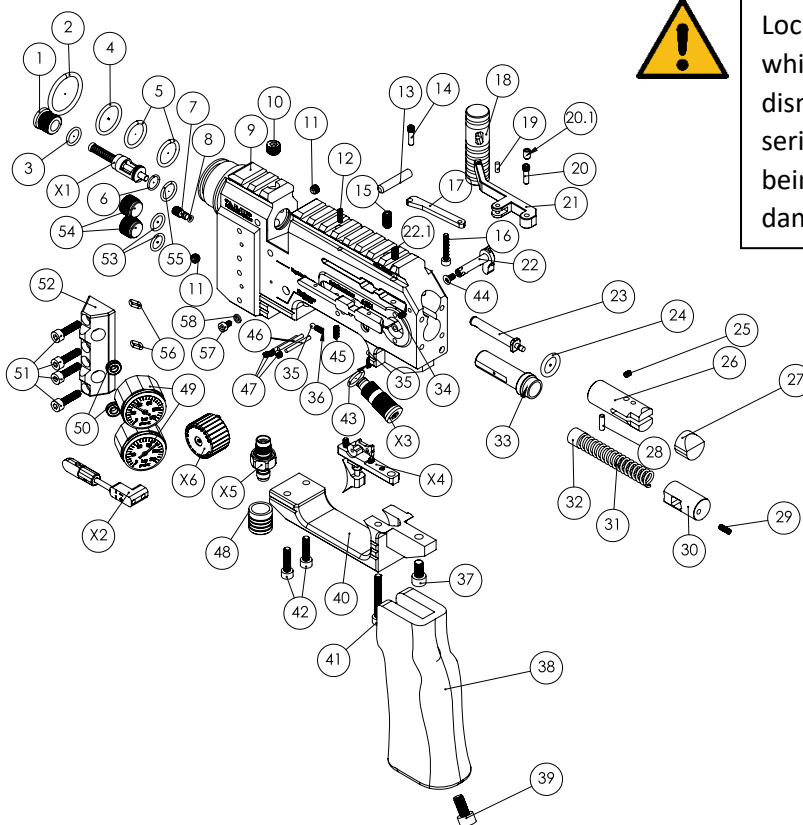
Barrel system A1-A18 runs thru a pressurized tube, faulty dismantling or faulty re-assembly Can cause serious injury to yourself and other living beings in the proximity. Can cause serious damage to the gun and property close by.



**B**

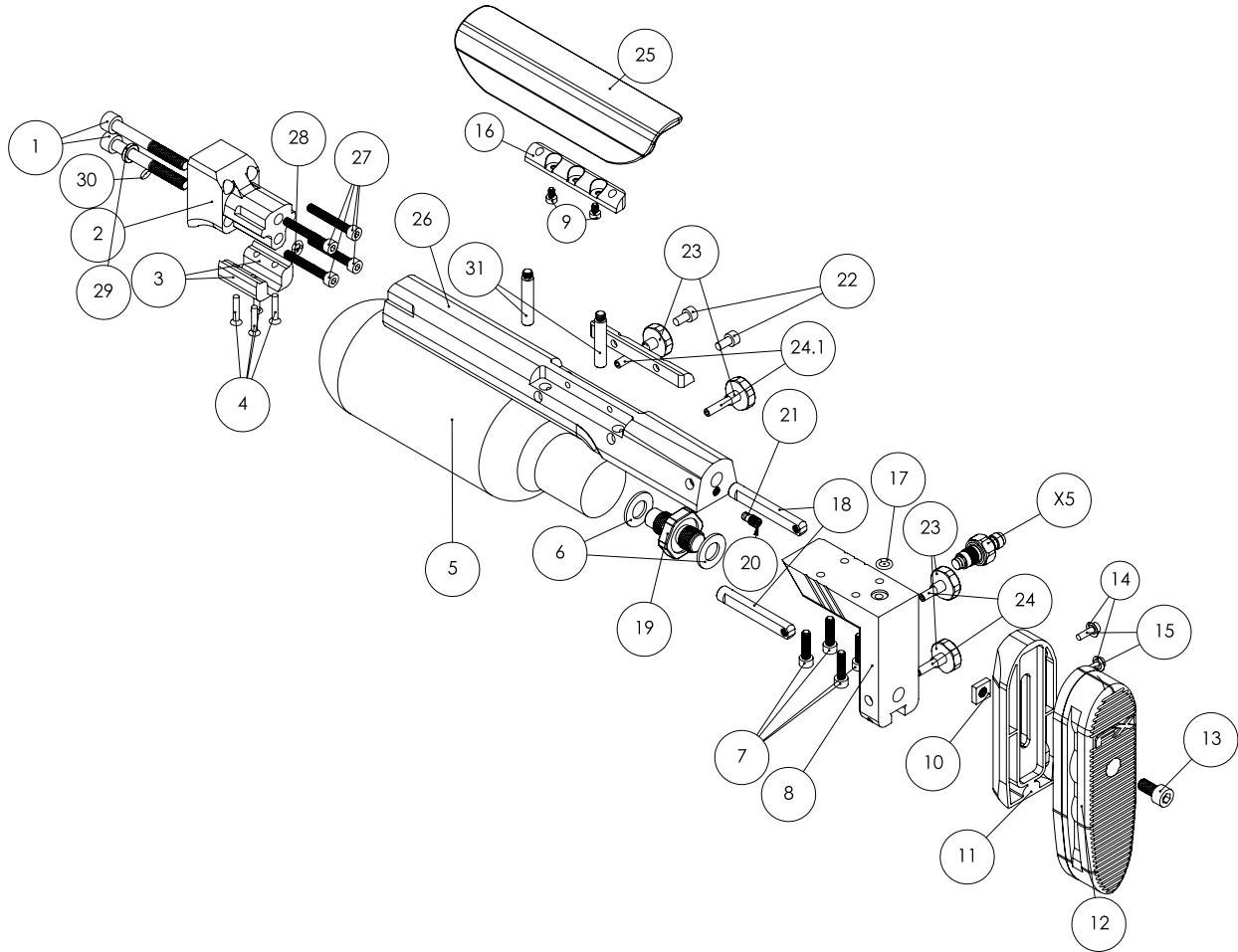


Locking screw A11 holds the barrel system which runs thru a pressurized tube, faulty dismantling or faulty re-assembly Can cause serious injury to yourself and other living beings in the proximity. Can cause serious damage to the gun and property close by.



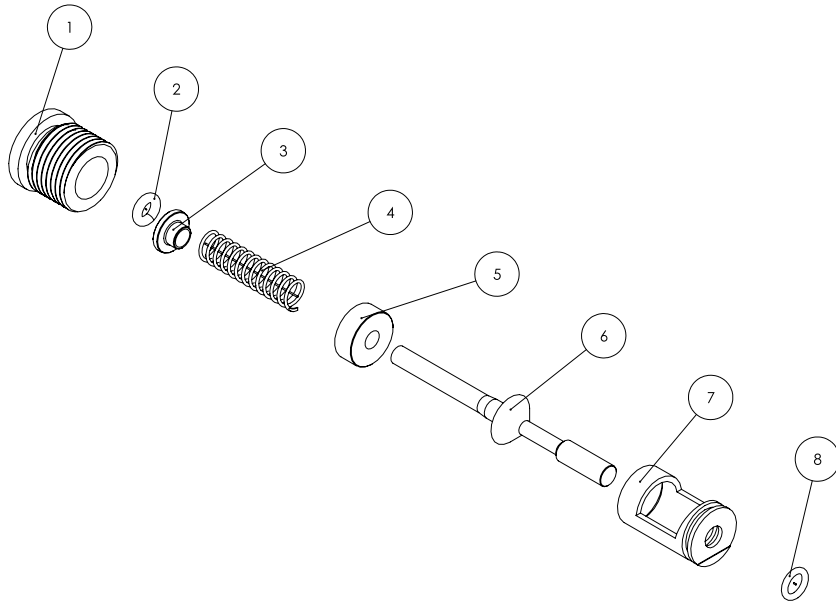
| Model       | Other model names | Date       | Revision | Revision date |
|-------------|-------------------|------------|----------|---------------|
| FX Panthera |                   | 2023-09-08 | EN.23.04 |               |

C

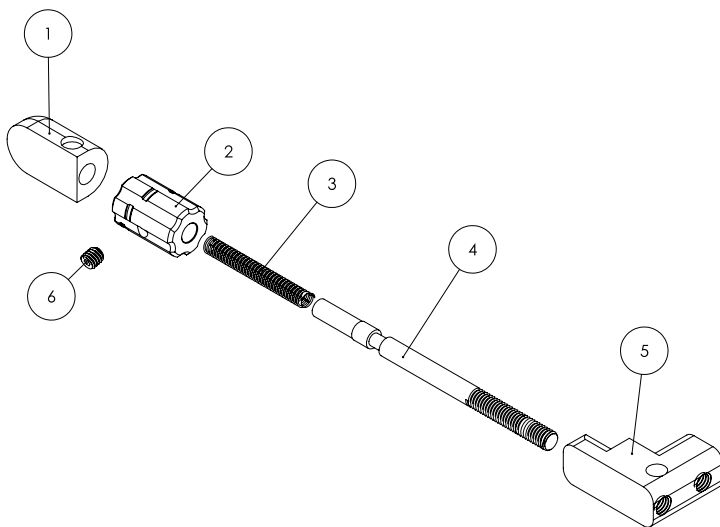


| Model       | Other model names | Date       | Revision | Revision date |
|-------------|-------------------|------------|----------|---------------|
| FX Panthera |                   | 2023-09-08 | EN.23.04 |               |

## X1

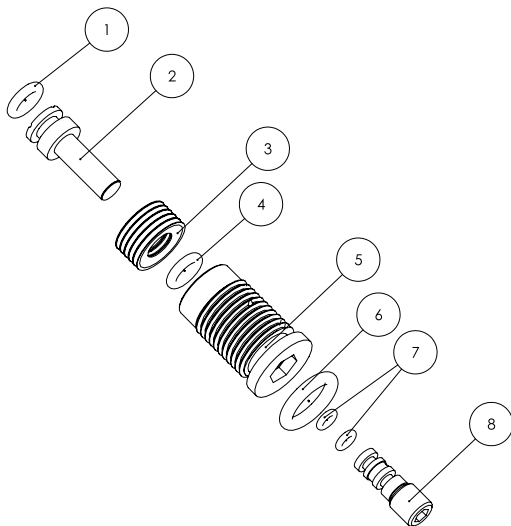


## X2

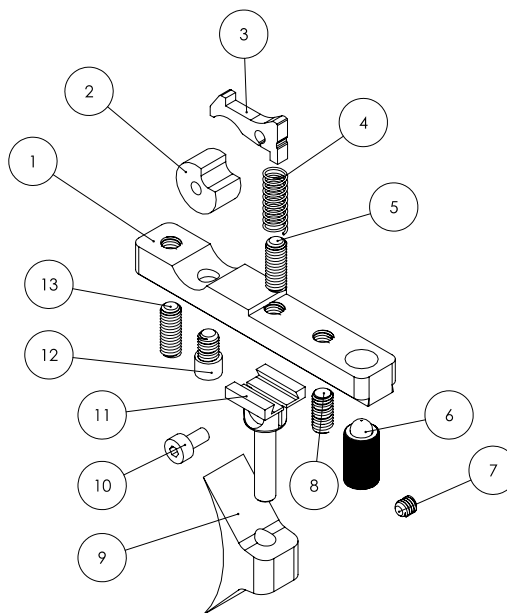


| Model       | Other model names | Date       | Revision | Revision date |
|-------------|-------------------|------------|----------|---------------|
| FX Panthera |                   | 2023-09-08 | EN.23.04 |               |

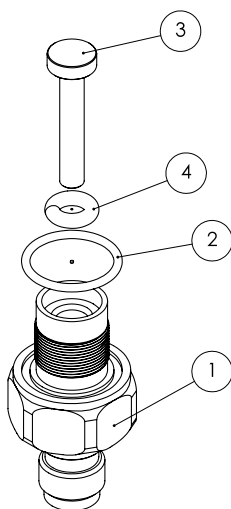
### X3



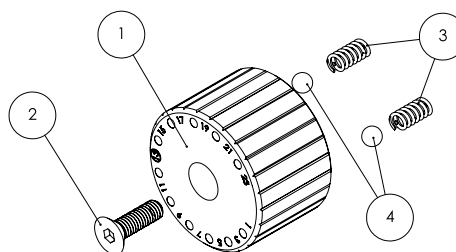
### X4



### X5



### X6



| Model       | Other model names | Date       | Revision | Revision date |
|-------------|-------------------|------------|----------|---------------|
| FX Panthera |                   | 2023-09-08 | EN.23.04 |               |

| NO           | ART. NO      | DESCRIPTION                          | NO       | ART. NO      | DESCRIPTION                   |
|--------------|--------------|--------------------------------------|----------|--------------|-------------------------------|
| A1           | 20945        | Muzzle-Thread Cover                  | B18      | 10301        | Side lever handle             |
|              |              |                                      | B19      | 19026        | Cylindrical pin 2,5m6x6       |
| A2 .177, .22 | 10332-22     | Muzzle thread insert .177, .22       | B20.1    | 2501         | Cup point grub screw M4x6     |
| A2 .25       | 10332-25     | Muzzle thread insert .25             | B21      | 20914        | Sidelever Dynamic             |
| A2 .30       | 10332-30     | Muzzle thread insert .30             | B22      | 19610        | Safety                        |
| A2           |              |                                      | B22.1    | 12033        | Grub screw M4x8               |
| A3           | 20944        | Shroud Muzzle Cap Dynamic            | B23 .177 | 20918        | Pellet probe .177 Dynamic     |
| A4           | 19105        | O-ring 25x2,5 NBR70                  | B23 .22  | 20919        | Pellet probe .22 Dynamic      |
| A5           | 20943        | Shroud Bushing with airvents Dynamic | B23 .25  | 20920        | Pellet probe .25 Dynamic      |
| A6           | Support page | See schematic                        | B23 .30  | 20921        | Pellet probe .30 Dynamic      |
| A7           | Support page | See schematic                        | B23      |              |                               |
| A8 .177      | 20928        | Barrel inlet .177 Dynamic            | B24      | 5159         | O-ring 10,6x2,4 NBR70         |
| A8 .22       | 20929        | Barrel inlet .22 Dynamic             | B25      | 16092        | Grub screw M3x4               |
| A8 .25       | 20930        | Barrel inlet .25 Dynamic             | B26      | 20916        | Carrier Dynamic               |
| A8 .30       | 20931        | Barrel inlet .30 Dynamic             | B27      | 20913        | Reloading Protection          |
| A8 .         |              |                                      | B28      | 11509        | Cylindrical pin 3h6x10        |
| A9 .177      | 5114         | O-ring 4,3x1,5 NBR70                 | B29      | 19742        | Grub screw M3x8               |
| A9 .22       | 19726        | O-ring 5,5x1,5 NBR70                 | B30      | 20951        | Spring Guide Dynamic          |
| A9 .25       | 2575         | O-ring 6,35x1,27 NBR70               | B31      | 2604         | Hammerspring 52mm             |
| A9 .30       | 19209        | O-ring 7,5x1,5 NBR70                 | B32      | 11540        | Hammer Weight                 |
| A9           |              |                                      | B33      | 19039        | Hammer V7                     |
| A10          | Support page | See schematic                        | B34      | 19109        | O-ring 4,0x1,5 NBR70          |
| A11          | Support page | See schematic                        | B35      | 4066         | Steel ball 3mm                |
| A12          | 20938        | Valvetube End, Plenum PRS            | B36      | 11501        | Spring 0,5x2,5x6,1            |
| A13          | 19485        | O-ring 23,0x2,5 NBR70                | B37      | 5173         | Socket head cap screw M5x10   |
| A14          | 19950        | O-ring 14x2 NBR70                    | B38      | 20911        | AR 15 Grip                    |
| A15          | 19480        | Socket head cap screw M4x10          | B39      | 5170         | Socket head cap screw M6x12   |
| A16          | Support page | See schematic                        | B40      | 20912        | Trigger Guard Dynamic         |
| A17          | 19950        | O-ring 14x2 NBR70                    | B41      | 2536         | Socket head cap screw M4x30   |
| A18          | 20933        | Barrelsupport Dynamic                | B42      | 5201         | Socket head cap screw M4x16   |
| A19          | 5208         | Countersunk screw M4x6               | B43      | 19790        | O-ring 10,0x1,5 NBR90         |
| A20          | 5225         | Countersunk screw M4x12              | B44      | 2504         | Countersunk screw M3x6        |
| A21          | 5202         | Socket head cap screw M5x12          | B45      | 19742        | Grub screw M3x8               |
| A22          | 20934        | Barricade Stop Dynamic               | B46      | 11502        | Cylindrical pin 2h6x20        |
| A23          | 19480        | Socket head cap screw M4x10          | B47      | 2562         | Grub screw M3x3               |
| A24          | 20988        | Support Block Dynamic                | B48      | 19910        | Dust cover – Quick connection |
| A25          | 2512         | Socket head cap screw M5x55          | B49      | 19775        | Manometer 28mm with cover     |
| A26          | 13039        | Countersunk screw M3x8               | B50      | 19762        | X-ring 3,63x2,62 NBR70        |
| A27          | 20935        | Fore End Stock Dynamic               | B51      | 5201         | Socket head cap screw M4x16   |
| A28          | 20942        | Fore End Top Accessory Mount Dynamic | B52      | 20986        | Angled Mount (Dual) Dynamic   |
|              |              |                                      | B53      | 19835        | O-ring 8x2 NBR70              |
| B1           | 20925        | Valve Housing Dynamic                | B54      | 20927        | Plugg M12 Dynamic             |
| B2           | 19485        | O-ring 23,0x2,5 NBR70                | B55      | 19790        | O-ring 10,0x1,5 NBR90         |
| B3           | 19763        | O-ring 9x1,5 NBR70                   | B56      | 19726        | O-ring 5,5x1,5 NBR70          |
| B4           | 5178         | O-ring 16,5x2 NBR90                  | B57      | 19715        | Socket head cap screw M3x5    |
| B5           | 19950        | O-ring 14x2 NBR70                    | B58      | 19736        | Plastic Washer 5,3x3,1x1      |
| B6           | 19108        | O-ring 8x1 NBR90                     |          |              |                               |
| B7           | 19694        | Brass adapter Impact                 |          |              |                               |
| B8           | 19761        | O-ring 2,2x1 NBR70                   | C1       | 5172         | Socket head cap screw M6x55   |
| B9           | 21074R       | Main Block Dynamic                   | C2       | 20909        | Rear Stock Transition Dynamic |
| B10          | 11532        | Grub screw M8x10                     | C3       | 20910        | Transition Cover Dynamic      |
| B11          | 19114        | Grub screw M5x6                      | C4       | 5171         | Countersunk screw M3x12       |
| B12          | 19742        | Grub screw M3x8                      | C5       | Support page | See schematic "Bottle"        |
| B13          | 2526         | Grub screw M5x25                     | C6       | 11507        | Rubber/Steel Washer           |
| B14          | 20946        | Carrier Screw Dynamic                | C7       | 5201         | Socket head cap screw M4x16   |
| B15          | 10374        | Second stage trigger screw M5        | C8       | 20902        | Recoilpad L-Mount Dynamic     |
| B16          | 11060        | Socket head cap screw M3x22          | C9       | 19715        | Socket head cap screw M3x5    |
| B17          | 20915        | Linkage Dynamic                      | C10      | 5176         | M6 nut                        |

| Model       | Other model names | Date       | Revision | Revision date |
|-------------|-------------------|------------|----------|---------------|
| FX Panthera |                   | 2023-09-08 | EN.23.04 |               |

|       |         |                                  |       |         |                                      |
|-------|---------|----------------------------------|-------|---------|--------------------------------------|
| C11   | 20901   | Recoilpad Mount Dynamic          | X3-1  | 19109   | O-ring 4x1,5 NBR 70                  |
| C12   | 20900   | Recoilpad Dynamic                | X3-2  | 19696   | Regulator piston (long) (May 2017->) |
| C13   | 5170    | Socket head cap screw M6x12      | X3-3  | 0198    | Bellwiew washers Crown/Imp FAC       |
| C14   | 16123   | Screw M4x12                      | X3-4  | 19109   | O-ring 4x1,5 NBR 70                  |
| C15   | 2570    | Washer 10x4,2x0,5                | X3-5  | 19697-1 | Regulator house                      |
| C16   | 20977   | Cheek Piece Mount Dynamic        | X3-6  | 19225   | O-ring 7,5x2 NBR70                   |
| C17   | 19726   | O-ring 5,5x1,5 NBR70             | X3-7  | 19731   | O-ring 2x1 NBR 90                    |
| C18   | 20908   | Recoilpad rod Dynamic            | X3-8  | 19695   | Regulator Screw Impact               |
| C19   | 20983   | Bottle connector PRS             |       |         |                                      |
| C20   | 19694   | Brass adapter Impact             | X4-1  | 19924   | Trigger base Crown                   |
| C21   | 19761   | O-ring 2,2x1 NBR70               | X4-2  | 11525   | Trigger wheel                        |
| C22   | 5230    | Socket head cap screw M4x6       | X4-3  | 19934   | Trigger sear Crown                   |
| C23   | 20948   | Cheek Piece Locking Knob Dynamic | X4-4  | 11504   | Spring 0,32x3,2x14,4                 |
| C24   | 5201    | Grubscrew M4x16                  | X4-5  | 19742   | Grub screw M3x8                      |
| C24.1 | 5174    | Grubscrew M4x20                  | X4-6  | 11015   | Second stage trigger screw M5        |
| C25   | 20950   | Cheek Piece Dynamic              | X4-7  | 12035   | Grub screw M2.5x2.5                  |
| C26   | 20907   | Rear Stock Dynamic               | X4-8  | 2500    | Grub screw M3x6                      |
| C27   | 2536    | Grub screw M4x30                 | X4-9  | 19136   | Adjustable trigger blade             |
| C28   | 5125    | O-ring 6,5x1,5 NBR70             | X4-10 | 19178   | Socket head cap screw M2x4           |
| C29   | 20973   | Plastic washer 6x10x2            | X4-11 | 19137   | Triggerpin                           |
| C30   | 19109   | O-ring 4,0x1,5 NBR70             | X4-12 | 19927   | Screw trigger roll Crown             |
| C31   | 20949   | Cheek Piece Bar Dynamic          | X4-13 | 19742   | Grub screw M3x8                      |
|       |         |                                  |       |         |                                      |
| X1-1  | 20925   | Valve holder                     | X5-1  | 16303   | Quick connector short                |
| X1-2  | 15016   | O-ring 2,9x1,78 NBR70            | X5-2  | 19720   | O-ring 10x1 NBR90                    |
| X1-3  | 20959   | Spring seat                      | X5-3  | 19005   | Inlet valve rod                      |
| X1-4  | 19850   | Spring 0,5x4x20                  | X5-4  | 5107    | 2,9x1,78 PUR90                       |
| X1-5  | 20926   | Valve gasket                     |       |         |                                      |
| X1-6  | 20924   | Vave rod                         | X6-1  | 19908   | Power adjuster Crown                 |
| X1-7  | 20923   | Valve seat                       | X6-2  | 2508    | Countersunk screw M3x10              |
| X1-8  | 5158    | O-ring 3,5x1 NBR70               | X6-3  | 11501   | Spring 0,5x2,5x6,1                   |
|       |         |                                  | X6-4  | 4066    | Steel ball 3mm                       |
| X2-1  | 10293   | Quick adjustment guide Impact M3 |       |         |                                      |
| X2-2  | 10292   | Quick adjustment wheel Impact M3 |       |         |                                      |
| X2-3  | 1147    | Spring 0,25X2,37X20              |       |         |                                      |
| X2-4  | 10291   | Quick adjustment axle Impact M3  |       |         |                                      |
| X2-5  | 20050-1 | Hammer Adjuster Dreamline/Crown  |       |         |                                      |
| X2-6  | 12035   | Grub screw M2,5x2,5              |       |         |                                      |
|       |         |                                  |       |         |                                      |
|       |         |                                  |       |         |                                      |
|       |         |                                  |       |         |                                      |
|       |         |                                  |       |         |                                      |
|       |         |                                  |       |         |                                      |