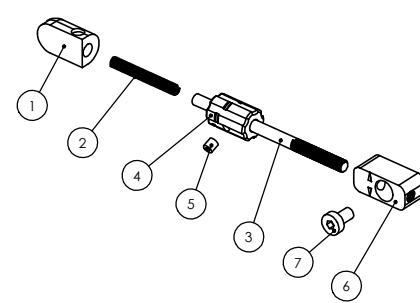
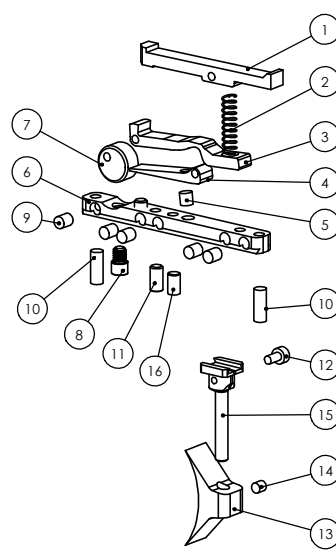
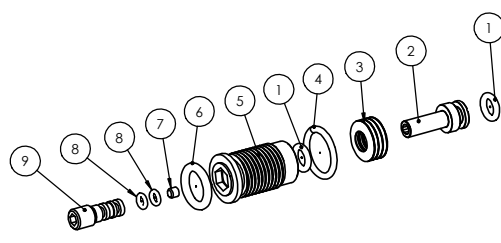


ITEM NO.	PartNo	DESCRIPTION
1	20736	Trigger block Impact M4
2	20730	Front Support Impact M4
3	19979	O-ring 13,95 x 2,62 NBR 90
4	19718	O-ring 14x1,5 NBR 70
5	20745	Guiding plate Impact M4
6	20732	Rail Picatinny Impact M4
7	16123	Screw M4x12
8	20731	Side Picatinny Impact M4
9	19713	Socket head cap screw M3x6
10	20739	Rail Picatinny Impact M4
11	20740	Grip
12	20735	Power adjuster Impact M4
13	11506	Socket head cap screw M3x30
14	20650	Cheekrest piece Impact
15	12610	Socket head cap screw M3x8
16	19601	Cylindrical pin 2h6x6
17	10323	Sleeve spring pin reloadingblock Impact M3
18	10322	Spring pin reloadingblock Impact M3
19	17046	Spring 0,5x3,5x15
20	10299	Reloading block Impact M3
21	19653	Puck 9,9
22	19676	Sleeve reloading
23	19652	Puck 5,0
24	3010	Cylindrical pin 2,5m6 x16
25	2562	Cup point grub screw M3x3
26	10300	Rear support Impact M3
27	19740	Socket head cap screw M3x22
28	19021	Side lever linkage
29	10340	Sidelever Impact M3
30	19026	Cylindrical pin 2,5m6x6
31	10301	Side lever handle Impact M3
32	11060	Socket head cap screw M3x18
33	19667	Reloading bar
34	19612	Pellet probe guide
35	19614	Pellet probe holder
37	19641	Pellet probe Impact .177
37	19620	Pellet probe Impact .22
37	19621	Pellet probe Impact .25
37	19619	Pellet probe Impact .30
40	19643	Grub screw, Pellet probe, M4
41	Support page	See Schematic "Impact barrel kit"
42	Support page	See Schematic "Bottle"
43	19950-90	O-ring 14x2 NBR 90
44	20738	Air Cylinder Connector M4
45	11507	Rubber/Steel Washer
46	20270	Hammer V2 Power plenum
47	2604	Hammerspring 52mm
48	20271	Hammer weight Big Plenum
49	20272	Hammer Sleeve, Impact, Big Plenum
50	19604	Hammer Seat
51	1301	Spring 0,75x5,95x45
52	19616	Valvestop Impact
53	19722	O-ring 9x1,5 NBR 70
54	20277	Valve adjuster screw
55	10325	Valve stop piston Impact M3
56	5110	Rubberball 4,75 NBR75
57	19227	Rubber ball 4,0mm NBR75
58	10327	Valve adjuster knob Impact M3
59	16092	Grub screw M3x4
60	19717	Countersunk screw M6x8
61	19762	X-ring 3,63x2,62 NBR 70
62	19791	Manometer 27mm WIKA 300bar
63	19776	Black sleeve for manometer Impact

ITEM NO.	PartNo	DESCRIPTION
64	19775-1	Manometer 27mm WIKA 250bar
65	20734	Plug for Manometer Impact M4
66	19720	O-ring 10x1 NBR 90
67	10336	Safety Impact M3
68	4066	Steel ball 3mm
69	11501	Spring 0,5x2,5x6,1
70	19715	Socket head cap screw M3x5
71	19736	Plastic Washer 5,3x3,1x1
72	2561	Dog point grub screw M3x5
73	4535	Socket head cap screw M5x14
74	19609	Spring holder Impact
75	2540	Socket Head Cap Screw M6x16
76	19682	Socket head cap screw M3x16
77	5107	O-ring 2,9 x 1,78 PUR 90
78	19005	Stainless Inlet valve rod - (former blue)
79	16303	Quick connector short
80	4528	O-ring 7,66 x 1,78 NBR 70
81	19910	Dust Cover - Quick Connection
82	5565	Spring 0,32x2,5x4,8
83	21068	Power adjuster screw
84	19693	Impact sprinthead
85	7984	Socket head cap screw M3x6
86	5120	O-ring 2,5 x 1,5 NBR 70
87	19761	O-ring 2,2x1 NBR 70
88	10335	Brass adapter Impact M3
89	19040	Cylindrical pin Ø2x23,5
90	19647	Valve Rod
91	19763	O-ring 9x1,5 NBR 90
92	10338	Valvetube End, Power Plenum Impact M3
93	19105	O-ring 25,0x2,5 NBR 70
94	19726	O-ring 5,5x1,5 NBR70
95	19792	Valve pin
96	20269	Valve Seal Impact
97	19603	Valve nut Impact
98	10337	Valvetube Power Plenum Impact M3
99	11508	Grub screw M3x10
100	20671-1	Valvehouse, Impact, Big Plenum
101	5154	O-ring 16,0 x 2,0 NBR 90
102	20670	Rear Block Impact Power 2022
103	19846	Grub screw M6x6
104	19702	Cylindrical pin 2h6x5
105	19606	Magazine holder Impact
106	20747	Left plate Impact M4
107	20746	Right plate Impact M4
108	20733	Adjustment screw recoilpad Impact M4
109	19618	Recoilpad Impact
110	19679	Grub screw M5x30
111	20117	Magazine bracket Impact M4
112	20672	M10x1 plugg powerplenum
113	20116	Locking arm Magazine bracket M4
114	16093	Spring 0,3x2x10
115	20055	Magnet 5x4
116	2505	Countersunk screw M4x10
117	2504	Countersunk screw M3x6
118	2501	Cup point grub screw M4x6
119	5184	O-ring 2,84x2,62 FPM90



ITEM NO.	PartNo	DESCRIPTION	QTY.
1	19109	O-ring 4x1,5 NBR 70	2
2	21070	Regulator piston Dynamic	1
3	2570	Washer 10x4,2x0,5	8
4	19790	O-ring 10,0 x 1,5 NBR 90	1
5	19697-1	Regulator housing Impact/Crown	1
6	19225	O-ring 7,5x2,0 NBR 70	1
7	20400	Plastic gasket Regulator piston	1
8	19731	O-ring 2x1 NBR 90	2
9	19695	Regulator Screw Impact	1

ITEM NO.	PartNo	DESCRIPTION
1	19636	Triggersear
2	11504	Spring 0,32x3,2x14,4
3	20743	Trigger Wheel Arm Impact M4
4	20744	Triggerpoint Impact M4
5	2562	Cup point grub screw M3x3
6	20741	Triggerbase Impact M4
7	20742	Triggerbase ear Impact M4
8	19927	Screw trigger roll Crown
9	5163-35	Red Cord 3x3,5mm
10	19742	Grub screw M3x8
11	2500	Grub screw M3x6
12	19178	Screw M2x4
13	19136	Adjustable trigger blade
14	12035	Grub screw M2,5x2,5
15	19137	Trigger pin
16	2561	Dog point grub screw M3x5

ITEM NO.	PartNo	DESCRIPTION
1	10293	Quick adjustment guide Impact M3
2	1147	Spring 0,3xmax2,5ydx20x23,5nt
3	10291	Quick adjustment axle Impact M3
4	10292	Quick adjustment wheel Impact M3
5	12035	Grub screw M2,5x2,5
6	19602	Hammer adjuster
7	19715	Socket head cap screw M3x5