

Model

FX Dynamic

Other model names

Date

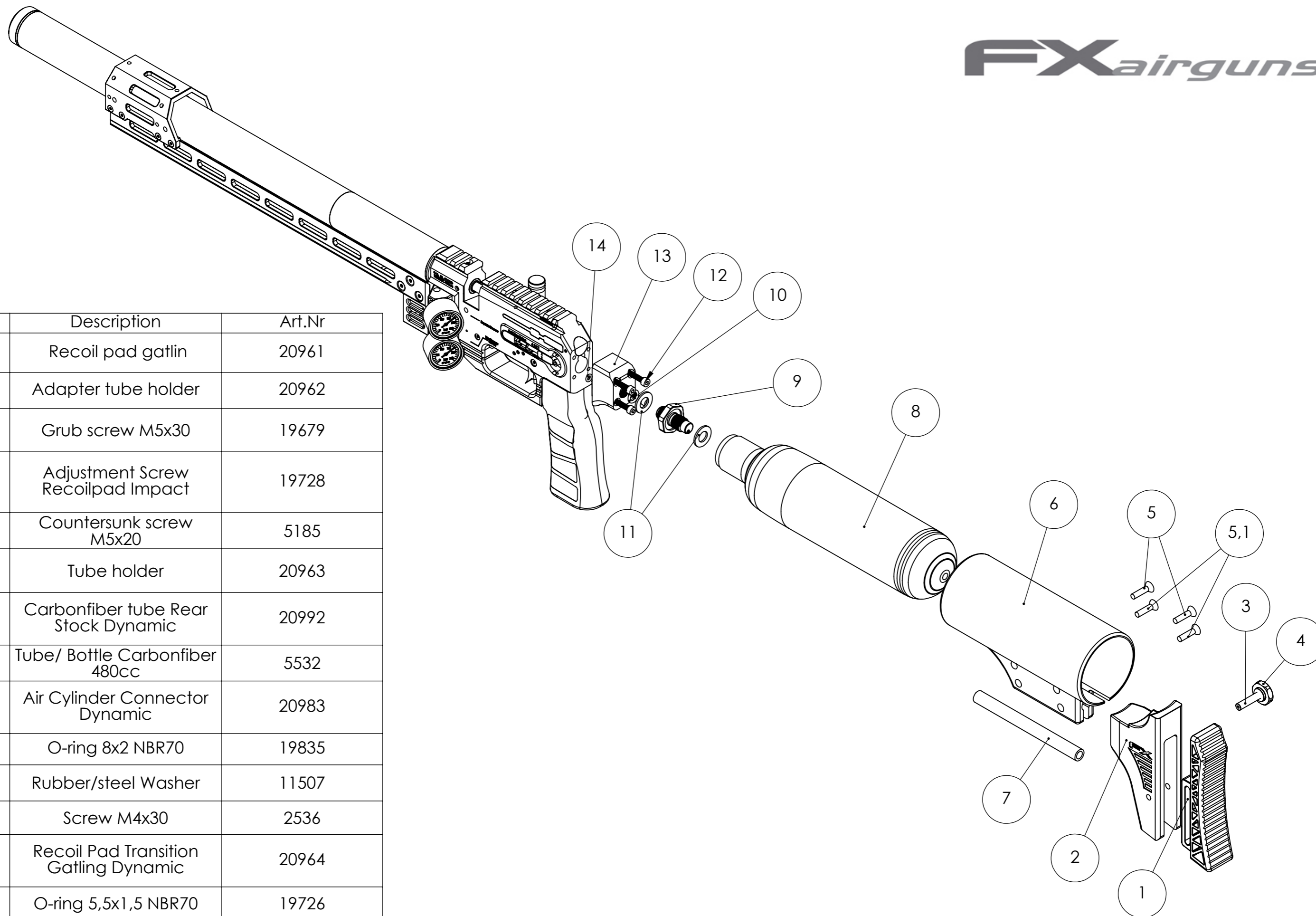
2024-01-16

Revision

EN..

Revision date

**FX**airguns



Position	Description	Art.Nr
1	Recoil pad gatlin	20961
2	Adapter tube holder	20962
3	Grub screw M5x30	19679
4	Adjustment Screw Recoilpad Impact	19728
5	Countersunk screw M5x20	5185
6	Tube holder	20963
7	Carbonfiber tube Rear Stock Dynamic	20992
8	Tube/ Bottle Carbonfiber 480cc	5532
9	Air Cylinder Connector Dynamic	20983
10	O-ring 8x2 NBR70	19835
11	Rubber/steel Washer	11507
12	Screw M4x30	2536
13	Recoil Pad Transition Gatling Dynamic	20964
14	O-ring 5,5x1,5 NBR70	19726