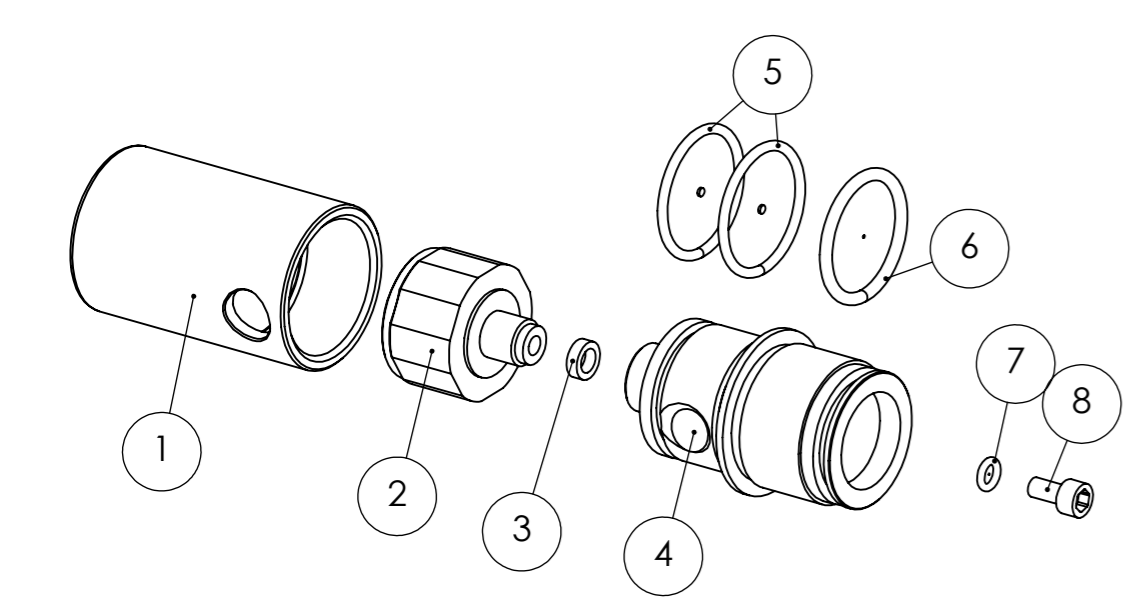
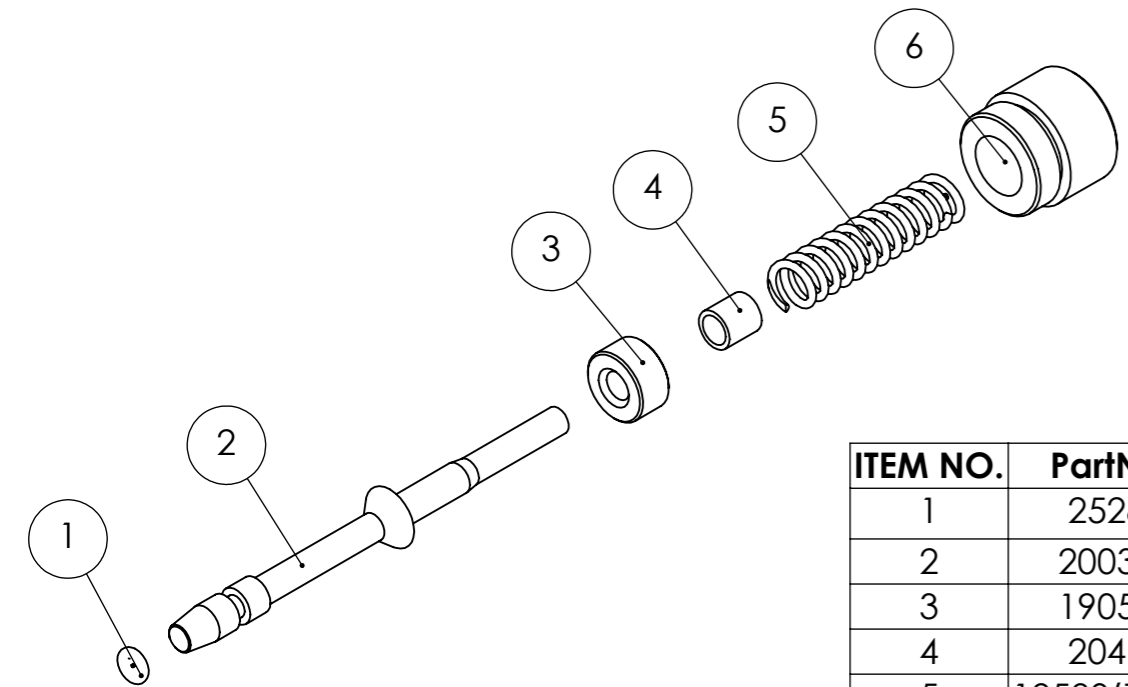


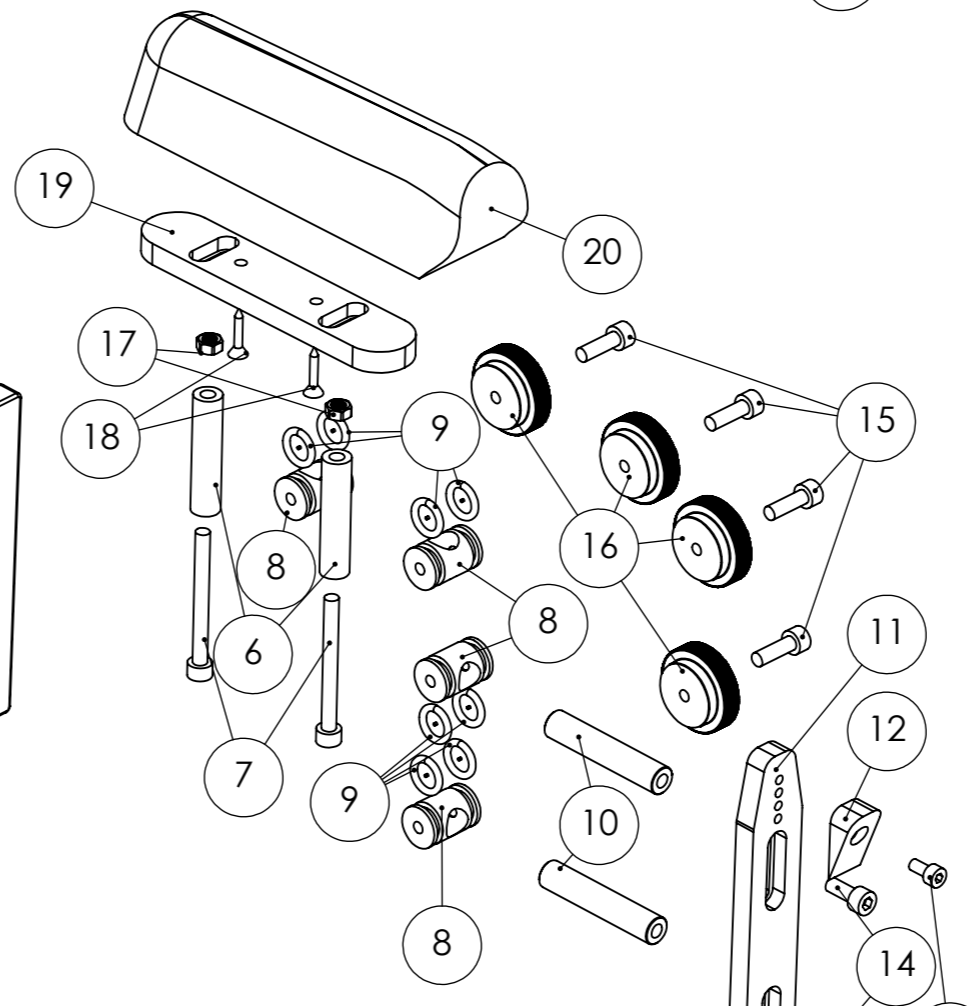
ITEM NO.	PartNo	DESCRIPTION	QTY.
1	15102	Diopter attachment	1
2	15101	Diopter fitment	1
3	19968	Liner Lock .177	1
4	19964	STX Liner .177 500mm Superior	1
5	3007	Grub screw M4x4	2
6	16054	O-ring 14,0 x 1,0 NBR 70	1
7	19973	See Schematic	1
8	19830	Tube 34x360	1
9	20841	Barrel attachment .177 with barrel inlet	1
10	19958	O-ring 6,02x2,62 NBR 70	1
11	19703	O-ring 10x2 NBR 70	2
12	2529	O-ring 4,3 x 1,5 NBR 70	1
13	19059	Valveseat SHP	1
14	19061	O-ring 6x1 NBR 90	1
15	20040	Main Block Biathlon MkII	1
16	19485	O-ring 23,0x2,5 NBR 70	1
17	19846	Grub screw M6x6	2
18	19955	Grub screw M8x6	1
19	19601	Cylindrical pin 2h6x6	1
20	19762	X-ring 3,63x2,62 NBR 70	1
21	19774	Pressure Gauge 23mm Dreamline 250bar black	1
22	2568	Cylindrical pin 2m6x12	2
23	2562	Cup point grub screw M3x3	3
24	11502	Cylindrical pin 2h6x20	3
25	20060	Pellet probe Dreamline .177	1
26	20042	Carrier Biathlon Dreamline	1
27	16092	Grub screw M3x4	1
28	19582	Magazinespring Wildcat	1
29	20043	Sidelever Biathlon MkII	1
30	19611	Side lever handle B2-WC-IM	1
31	11060	Socket head cap screw M3x18	1
32	16041	Grub screw M5x14	1
33	16116	Thumb Cocking Biathlon MkII	1
34	5230	Screw M4x6	1
35	20044	Thumb Return Screw Biathlon Dreamline	1
36	5108	O-ring 5,28 x 1,78 PUR 70	1
37	11030	Hammer spring Adjuster M16x1x2,5	1
38	11510	Cylindrical pin 3h6x20	1
39	16026	Washer 6,7x14	1
40	19581	Spring 1x7x65	1
41	19039	Hammer V7	1
42	21093	Trigger Sear Dreamline, Crown 2023	1



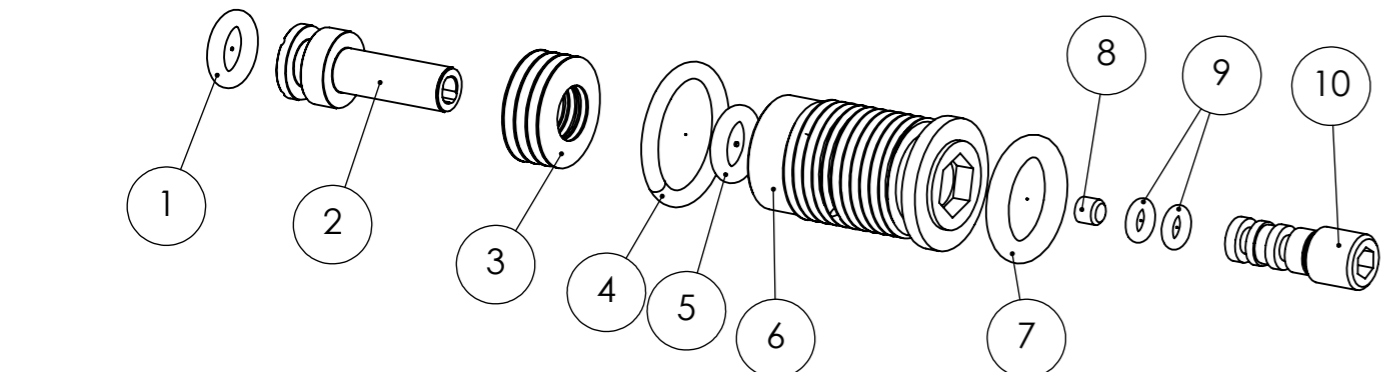
ITEM NO.	PartNo	DESCRIPTION	QTY.
1	19544	Dust Cover Wildcat/Dreamline	1
2	19775-1	Manometer 27mm WIKA 250bar	1
3	30010	Washer Manometer Ø7,9x2,5xØ5	1
4			1
5	19484	O-ring 24x2 NBR 70	2
6	19485	O-ring 23,0x2,5 NBR 70	1
7	19109	O-ring 4x1,5 NBR 70	1
8	11511	Countersunk screw M4x8 (Torx)	1



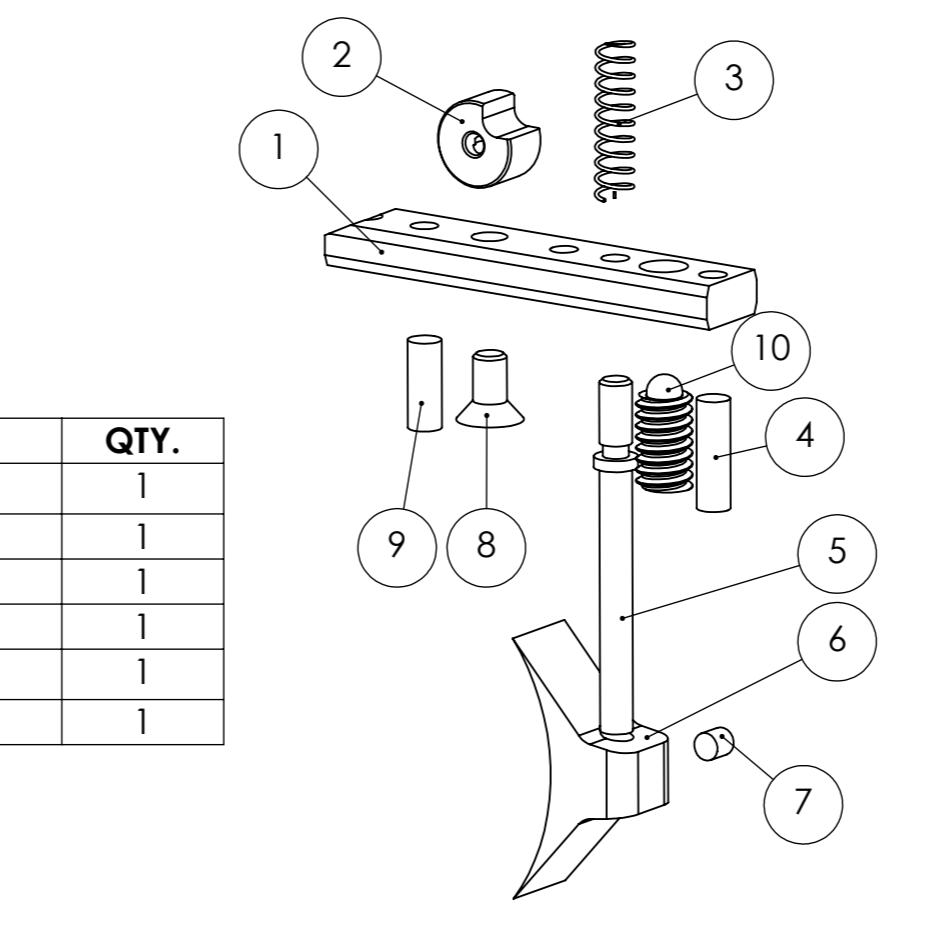
ITEM NO.	PartNo	DESCRIPTION	QTY.
1	2528	O-ring 1,5 x 1,0 NBR 70	1
2	20036	Valve Pin Dreamline	1
3	19058	Gasket SHP	1
4	2041	Holder Valve Seal	1
5	19580(7,5J)	Spring 0,75x4x20	1
6	20037	Valve Holder Dreamline	1



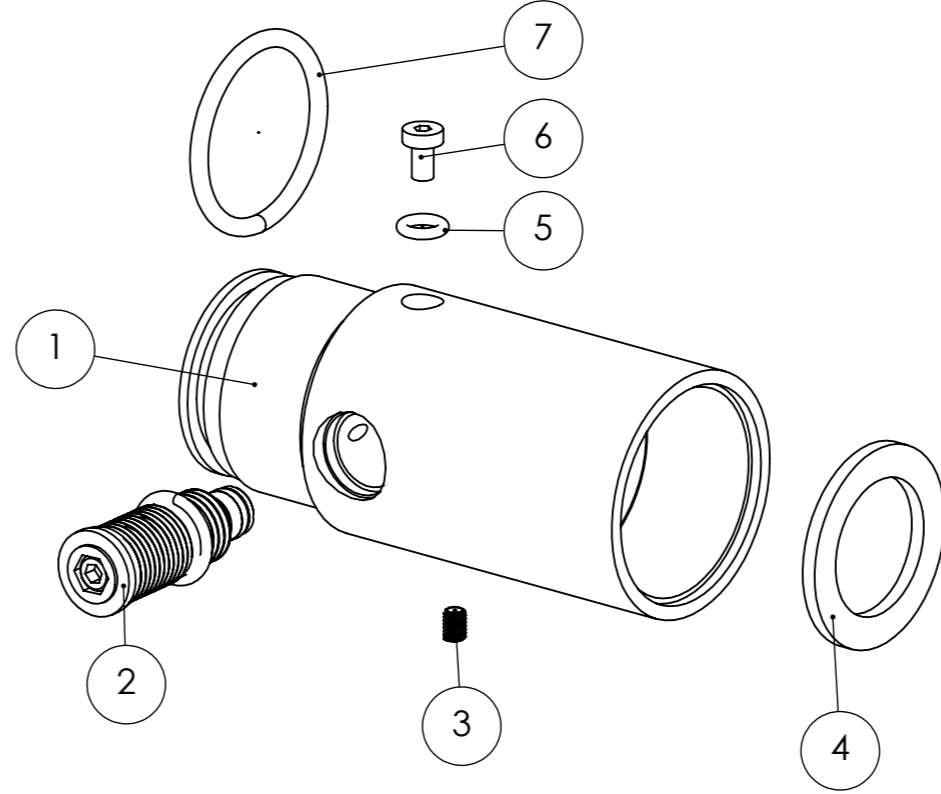
ITEM NO.	PartNo	DESCRIPTION	QTY.
1	16121	Biathlon MkII Rail Short	2
2	5220	Skruv försänkt M4x10 stjärn	10
3	16120	Biathlon MkII Rail Long	1
4	16050	Biathlon MkII Stock without parts	1
5	11635	Countersunk screw M5x55	1
6	16070	Bushing 10x44mm Biathlon MkII Cheekrest	2
7	16094	Socket head cap screw M5x50	2
8	16081	Lock Stock adjustment Biathlon	4
9	5104	O-ring 9,3 x 2,4 NBR 70	8
10	16071	Bushing 10x84mm Biathlon extension	2
11	16052	Recoilpad Biathlon 2019>	1
12	16053	Recoilpad Biathlon heel for 16052	2
13	15032	Socket head cap screw M4x8	2
14	5202	Socket head cap screw M5x12	2
15	14600	Socket head cap screw M5x16 stainless steel	4
16	16117	Stock Locking Wheel Biathlon MkII	4
17	4512	Nut M5 black	2
18	16111	Screw Spax 3,5x20mm	2
19	16087	Cheek support holder	1
20			1



ITEM NO.	PartNo	DESCRIPTION	QTY.
1	19109	O-ring 4x1,5 NBR 70	1
2	21070	Regulator piston Dynamic	1
3	2570	Washer 10x4,2x0,5	8
4	19790	O-ring 10,0 x 1,5 NBR 90	1
5	5197	O-ring 3,0 x 1,0 NBR 70	1
6	19697-1	Regulator housing Impact/Crown	1
7	19225	O-ring 7,5x2,0 NBR 70	1
8	20400	Plastic gasket Regulator piston	1
9	19731	O-ring 2x1 NBR 90	2
10	19695	Regulator Screw Impact	1



ITEM NO.	PartNo	DESCRIPTION	QTY.
1	20033	Triggercatch Dreamline, standard	1
2	11525	Trigger wheel	1
3	11504	Spring 0,32x3,2x14,4	1
4	11508	Grub screw M3x10	1
5	19809	Trigger pin	1
6	19136	Adjustable trigger blade	1
7	12035	Grub screw M2,5x2,5	1
8	2504	Countersunk screw M3x6	1
9	19742	Grub screw M3x8	1
10	11015	Adj screw second stage, soft	1



ITEM NO.	PartNo	DESCRIPTION	QTY.
1	20288	Power Adapter 75mm	1
2		Regulator cpl	1
3	19793	screw M3x4 grub With Machined slot	1
4	20053	Washer Power Adapter Dreamline	1
5	19109	O-ring 4x1,5 NBR 70	1
6	19715	Socket head cap screw M3x5	1
7	19497	O-ring 23,3x2,4 NBR 70	1